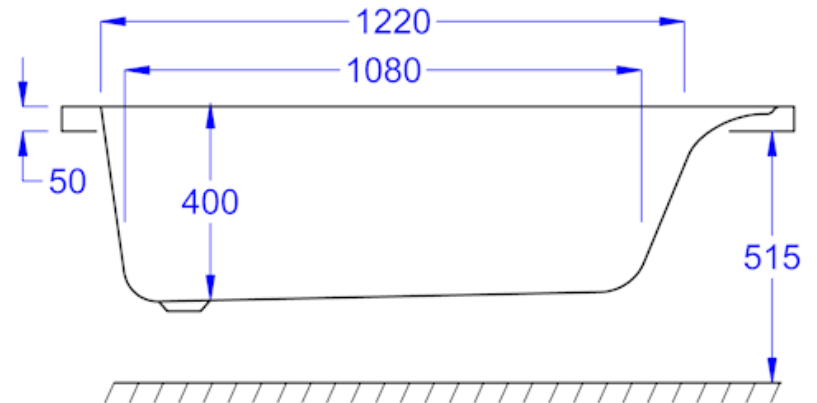
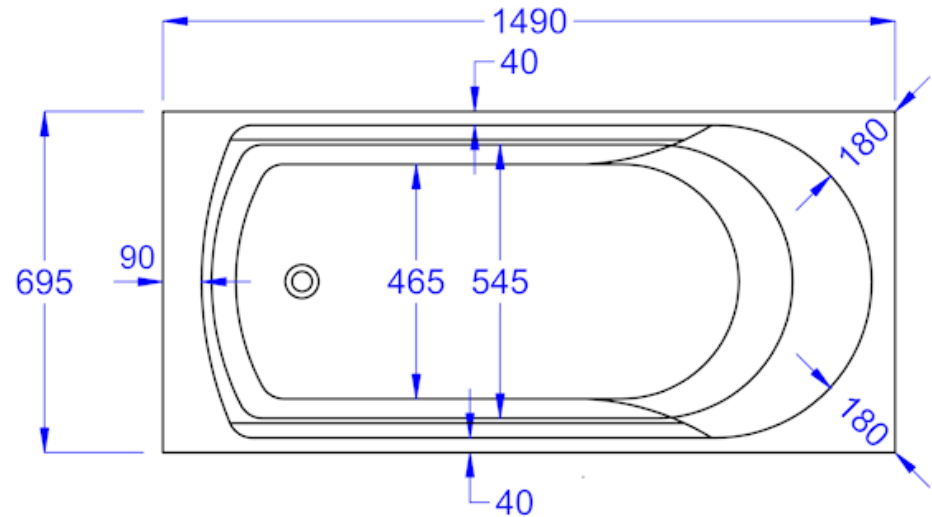


### Technical Data Sheet : Arc 1500



#### Dimensions:

Length: 1500mm

Width: 700mm

Depth: 400mm

Height: 515mm

Capacity: 150 litres