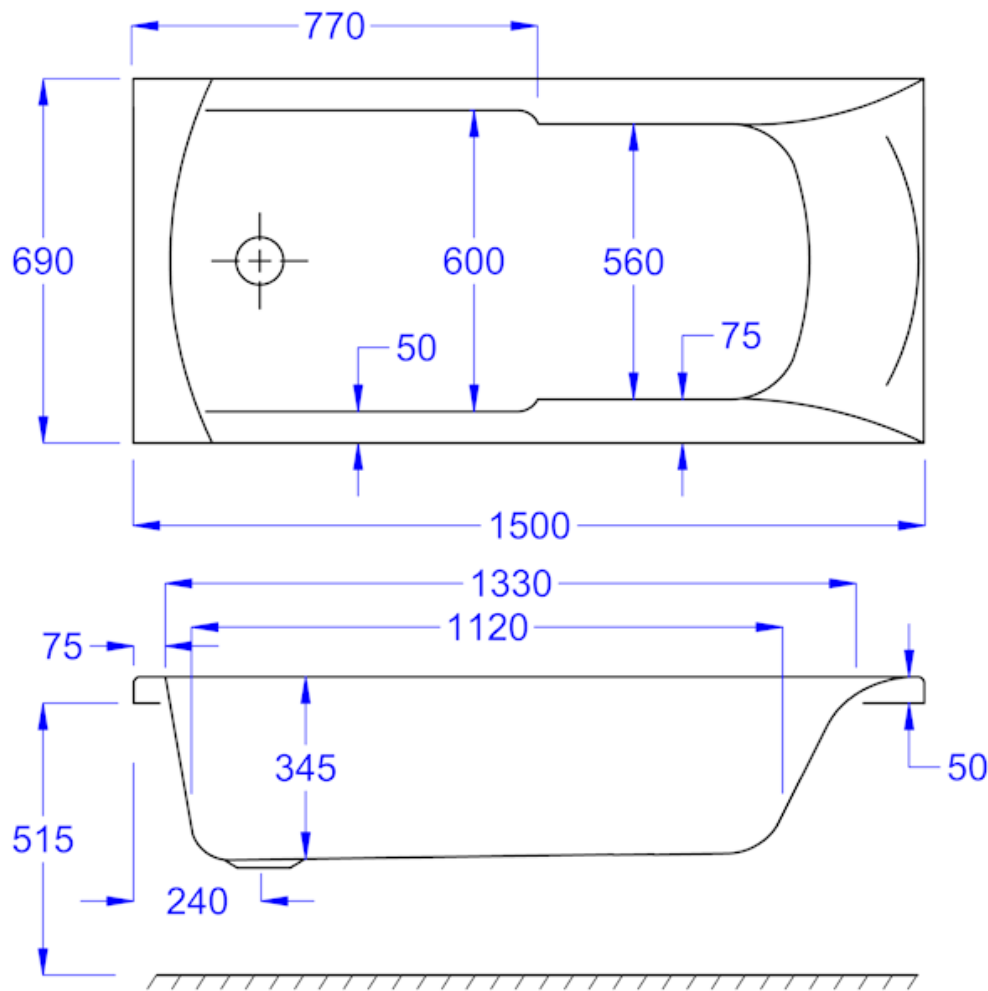


Technical Data Sheet : Matrix 1500



Dimensions:

Length: 1500mm

Width: 700mm

Depth: 345mm

Height: 515mm

Capacity: 131 litres