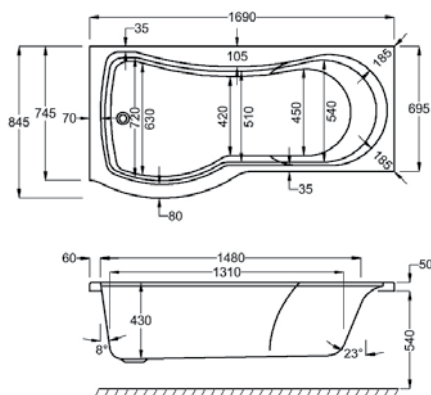


ARC

L 1700MM
W 700-850MM

	5MM	CARRONITE
ARC SHOWERBATH	✓	✓
ARC 1700 SB FRONT PANEL	✓	✓
SB END PANEL	✓	✓
SCREEN CSS-2	✓	✓
SET (BATH, SCREEN, FRONT PANEL)	✓	✓



Left hand and right hand baths available.
Left hand bath shown.



Carronite



Panel



Whirlpool

WATER CAPACITY

250 LTR

This measurement is taken to the overflow

WHIRLPOOL COMPATIBLE

C-LENDA SYSTEMS

1 & 4

KIT REFERENCES

STANDARD - AK-05

CARRONITE - AK-05-C