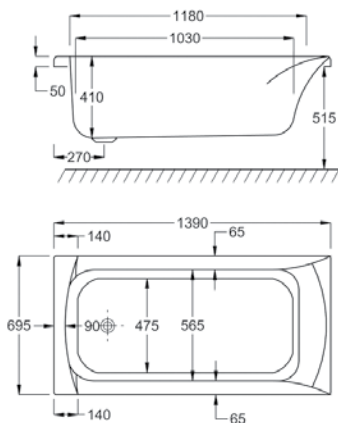


DELTA

L 1400MM
W 700MM

	5MM	CARRONITE
DELTA	✓	✓
FRONT PANEL 1400x515	✓	✓
END PANEL 700x515	✓	✓
SCREEN CFS-1 (H=1400MM)	✓	✓
SCREEN CFS-2 (H=1500MM)	✓	✓
GRIPS CCG-1	✓	✓



Carronite



Panel



Hand
Grips



Whirlpool

WATER CAPACITY

142 LTR

This measurement is taken to the overflow

WHIRLPOOL COMPATIBLE

C-LENDIA SYSTEMS

1 & 4

KIT REFERENCES

STANDARD - AK-01

CARRONITE - AK-01-C