

Jan-June  
2021

# Trade Range & Price List

---

ALL PRICES  
EXCLUSIVE OF VAT

 carron

PROUD MEMBER OF:

 **MADE IN  
BRITAIN**



# Carron Bathrooms 2021 Trade Range

Welcome to the Carron Bathrooms 2021 Trade Range. Working with feedback from the trade, we've given the catalogue a redesign, giving you even better access to the pricing and technical specifications of the entire Carron Bathrooms range.

Carron have a reputation for quality products and reliable after sales support. With all our baths being available in our patented, Carronite™ material – with a 30 year manufacturer warranty – installing a Carron Bath comes with added peace of mind.

**PRICES SHOWN ARE EXCLUSIVE OF VAT. PRICES VALID UNTIL JUNE 2021.**

**The product pages in this Trade Range come with a series of icons showing the optional extras available for each model.**

## CARRONITE™

Carronite™ is Carron's unique patented manufacturing process. Carronite baths are more stable and hold water temperature for longer than a standard acrylic bath. Every Carronite bath comes with a 30 year manufacturer warranty, giving extra peace of mind when installing for a customer.

## PANELS

Baths with a panel icon have a corresponding panel designed specifically to fit the product in question.

## HAND GRIPS

Many Carron baths come with hand grips as an optional extra. All Carron hand grips allow for the use of a showerscreen.



## WHIRLPOOL

The ultimate in bathing luxury, C-Lenda Whirlpool systems are available as an optional extra for Carron baths. You will also find a guide to the Whirlpool range available on page five.

## EASE OF ACCESS

If you require a bath with a lower height, look out for our Ease of Access icon, to assist users with limited mobility.

## WATER SAVER

Providing a solution for those looking to reduce their water usage, the Water Saver icon shows baths with reduced water capacity.



---

# Carronite™.

## Designed to last a lifetime.

---

**Carronite™ is Carron's unique, patented manufacturing process. We are so confident in the strength and quality of Carronite™ that we offer a 30 year manufacturer's warranty.**

### **How does Carronite™ work?**

A Carronite™ bath's strength comes from a triple layer reinforcement system. The additional weight of this system requires the bath to be fitted with a heavy duty support/levelling system. The combination of the material itself and the support system ensure the rigidity and stability of the bath.



**Stronger**



**Warmer for  
Longer**



**30 Year  
Guarantee**

---



CARRONITE &  
C-LENDA WHIRLPOOL  
THE PERFECT MATCH

**Save up to £505\***



Purchase any Carron bath with a C-Lenda whirlpool system and get a **FREE CARRONITE UPGRADE**. Call us today on 01324 638407 or email [info@carronbathrooms.com](mailto:info@carronbathrooms.com)

\*This offer, based on a Linea 1900 x900, would be worth a potential saving of £505.00 (ex-VAT) at retail prices, allowing your customer to benefit from all of the additional strength of a Carronite bath with its 30 year Warranty.

# C-Lenda

## Whirlpool Systems

The C-Lenda Whirlpool system is the most technologically advanced system available on today's market. This unique jet system has been designed by Markon in New Zealand and ensures the most comfortable bathing experience. Almost all baths in the Carron range are compatible with this whirlpool system and are made to order by our skilled technicians at our factory in Falkirk.

In previous whirlpool baths, the fittings protruded from the bath wall into the bathing area and were prone to build up of soap which was difficult to clean. In the unique C-Lenda design, all fittings are flush with the bath wall, creating a smooth, continuous surface.

<b>System 1</b>	<b>£1,104</b>	①	<b>System 5</b>	<b>£1,663</b>	⑤
<b>SYSTEM OPTIONS:</b>	Pneumatic Controls, 6 Side Jets		<b>SYSTEM OPTIONS:</b>	Electronic Controls, 6 Side Jets, 6 Back Jets, 4 Feet Jets	
<b>System 2</b>	<b>£1,378</b>	②	<b>System 6</b>	<b>£1,936</b>	⑥
<b>SYSTEM OPTIONS:</b>	Pneumatic Controls, 6 Side Jets, 6 Back Jets, 4 Feet Jets		<b>SYSTEM OPTIONS:</b>	Electronic Controls, 6 Side Jets, 6 Back Jets, 4 Feet Jets, Chromotherapy Light	
<b>System 3</b>	<b>£1,663</b>	③	<b>Optional extras</b>		
<b>SYSTEM OPTIONS:</b>	Pneumatic Controls, 6 Side Jets, 6 Back Jets, 4 Feet Jets, Chromotherapy Light		Chromotherapy		£279
<b>System 4</b>	<b>£1,378</b>	④	Extra feet jets (pair)		£140
<b>SYSTEM OPTIONS:</b>	Electronic Controls, 6 Side Jets		For double ended baths, we recommend adding an extra pair of feet jets to provide a symmetrical appearance.		

**System Components**

● Flush Centro Jets

● Flush Air Control

● Electronic On/Off

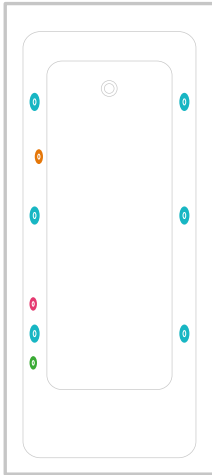
● Flush Suction

● Chromotherapy Light

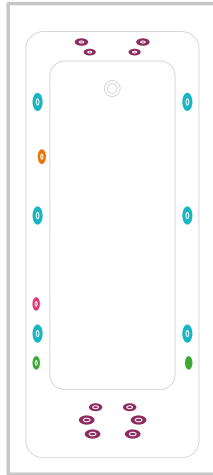
● Pneumatic On/Off

● Flush Mini Jets

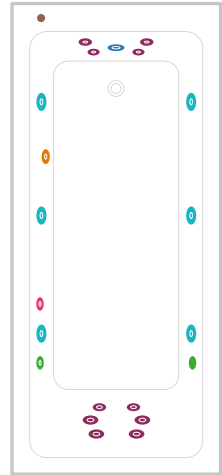
● Chromotherapy On/Off



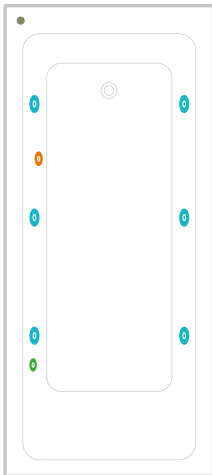
**C-Lenda System 1** ①



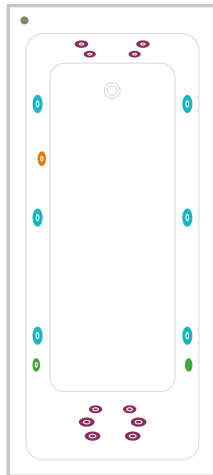
**C-Lenda System 2** ②



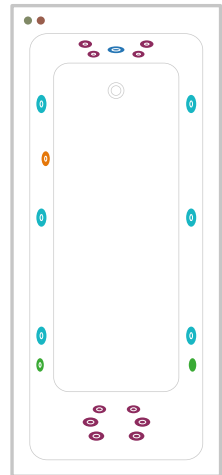
**C-Lenda System 3** ③



**C-Lenda System 4** ④



**C-Lenda System 5** ⑤



**C-Lenda System 6** ⑥

Diagrams shown are a guide only. Controls & light positions can vary by model. Please consult Carron for more information.

# Contents

## Rectangular Baths

Urban Sitbath 1250x725	12	Profile SE 1700x700	57
Delta 1400x700	13	Profile Duo 1700x700	58
Imperial TG 1400x700	14	Quantum Duo 1700x700	59
Arc SE 1500x700	15	Quantum Integra 1700x700	60
Axis 1500x700	16	Quantum Integra Eco 430	61
Delta 1500x700	17	Quantum Integra Eco 515	62
Imperial TG 1500x700	18	Quantum SE 1700x700	63
Matrix 1500x700	19	Swallow TG 1700x700	64
Profile SE 1500x700	20	Status 1700x725	65
Quantum Integra 1500x700	21	Urban 1700x725	66
Quantum Integra Eco 430	22	Alpha 1700x750	67
Quantum Integra Eco 515	23	Arc Duo 1700x750	68
Quantum SE 1500x700	24	Arc SE 1700x750	69
Axis 1600x700	25	Britannia 1700x750	70
Camden 1600x700	26	Echelon (includes filler) 1700x750	71
Delta 1600x700	27	Equation 1700x750	72
Imperial TG 1600x700	28	Equity 1700x750	73
Matrix 1600x700	29	Highgate DE 1700x750	74
Profile SE 1600x700	30	Highgate SE 1700x750	75
Profile Duo 1600x700	31	Index 1700x750	76
Quantum Integra 1600x700	32	Profile SE 1700x750	77
Quantum Integra Eco 430	33	Profile Duo 1700x750	78
Quantum Integra Eco 515	34	Quantum Duo 1700x750	79
Quantum SE 1600x700	35	Quantum Integra Duo 1700x750	80
Status 1600x725	36	Quantum Integra 1700x750	81
Sigma 1600x750	37	Quantum SE 1700x750	82
Profile Duo 1600x800	38	Quantum Spacesaver 1700x750-400	83
Quantum SE 1600x800	39	Sigma 1700x750	84
Axis 1650x700	40	Apex 1700x800	85
Camden 1650x700	41	Haiku 1700x800	86
Delta 1650x700	42	Quantum Duo 1700x800	87
Matrix 1650x700	43	Quantum Integra 1700x800	88
Quantum Integra 1650x700	44	Quantum SE 1700x800	89
Profile Duo 1650x700	46	Sigma 1700x800	90
Delta 1675x700	47	Status 1700x800	91
Imperial TG 1675x700	48	Quantum SE 1700x900	92
Alpha 1700x700	49	Profile SE 1750x750	93
Arc SE 1700x700	50	Profile duo 1750x750	94
Axis 1700x700	51	Quantum Integra 1750x750	96
Britannia 1700x700	52	Swallow TG 1800x700	97
Camden 1700x700	53	Profile SE 1800x700	98
Delta 1700x700	54	Profile Duo 1800x700	99
Imperial TG 1700x700	55	Quantum SE 1800x725	100
Matrix 1700x700	56	Imperial TG 1800x750	101



## Rectangular Baths

Alpha 1800x800	102
Arc Duo 1800x800	103
Britannia 1800x800	104
Echelon (inc Filler) 1800x800	105
Equation 1800x800	106
Equity 1800x800	107
Haiku 1800x800	108
Highgate DE 1800x800	109
Highgate SE 1800x800	110
Quantum Integra 1800x800	111
Quantum Duo 1800x800	112
Quantum SE 1800x800	113
Sigma 1800x800	114
Haiku 1800x900	115
Mistral 1800x700-900	116
Linea 1900x900	117
Quantum Duo 1900x900	118
Sigma 1900x900	119

## Showerbaths

Quantum 1500x700-850	122
Urban Compact 1500x750-900	123
Profile SB 1500x900	124
Status 1550x850	125
Urban Swing 1575x850	126
Urban Edge 1575x700-850	127
Delta 1600x700-800	128
Quantum 1600x700-850	129
Urban edge 1675x700-850	130
Aspect 1700x700-800	131
Delta 1700x700-800	132
Arc 1700x700-850	133
Quantum 1700x700-850	134
Highgate 1700x750-900	135
Urban 1700x750-900	136
Sigma 1800x750-900	137

## Freestanding Baths

Paradigm 1550x850	140
Ascoli 1700x750	141
Halcyon Oval 1750x800	142
Halcyon Square 1750x800	143
Halcyon 'D' 1750x800	144
Highgate 1750x800	145
Elysee 1800x900	146
Celsius 1910x910	147

## ColourMatch

ColourMatch	150
ColourMatch Infinity Base	151

## Corner Baths

Dove 1550x950	154
Omega 1700x1000	155
Oriole 1200x1200	156
Monarch 1300x1300	157
Tranquility 1300x1300	158
Centennial 1500x1500	159
Clipper 1575x1200	160

## Celsius Range

Celsius 700	164
Celsius 750	165
Celsius 1800	166
Celsius Showerbath	167
Celsius Oval	168
Celsius Duo	169

## Panels, Screens & Accessories

"L" Shaped Panels	172
Front Panels	173
End Panels	173
Screens	174
Headrests	174

---

# Rectangular Baths

---

The most popular bath shape needs to come in a wide range of sizes and configurations. The Carron range of rectangular baths has every base covered with lengths ranging from 1250mm to 1900mm over a selection of width options.

---

## Grip Options

---

Chrome handgrips available on many of our rectangular baths. Please order using appropriate product code.

Chrome Handgrip CCG-1  
**£43 per pair** 02357



Chrome Handgrip CCG-2  
**£32 per Pair** 02356

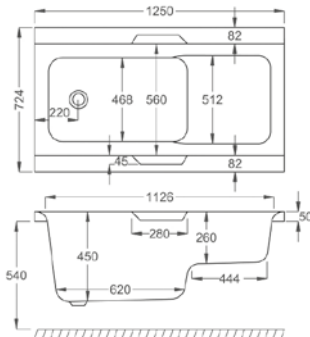




# Urban Sitbath

Length. **1250mm** | Width. **725mm** | Height. **540mm**

	5mm	Code	Carronite	Code
<b>Urban Sitbath</b>	<b>£306</b>	<b>02445</b>	<b>£485</b>	<b>02446</b>
Urban Sitbath Front Panel	£113	02495	£153	02496
Urban Sitbath End Panel	£80	02287	£106	02307
Screen CFS-1 (H=1400mm)	£167	02344	£167	02344
Screen CFS-2 (H=1500mm)	£188	02346	£188	02346



**FEATURES:** **C** Carronite **P** Panel  
**H** HandGrips

**CAPACITY:** 155 Litres

**WHIRLPOOL:** N/A

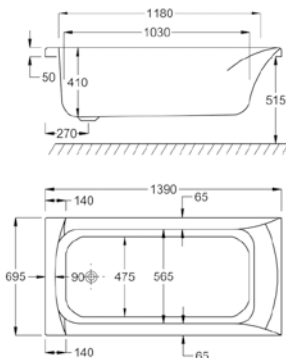
**KIT REF:** Standard - AK-06  
Carronite - AK-06-C

**SIZES:** 1250x725

# Delta

Length. **1400mm** | Width. **700mm** | Height. **515mm**

	5mm	Code	Carronite	Code
<b>Delta</b>	<b>£308</b>	<b>02047</b>	<b>£558</b>	<b>02048</b>
Front Panel (1400x515)	£101	02280	£146	02266
End Panel (700x515)	£80	02285	£106	02271
Screen CFS-1 (H=1400mm)	£167	02344	£167	02344
Screen CFS-2 (H=1500mm)	£188	02346	£188	02346
Grips CCG-1	£43	02357	£43	02357

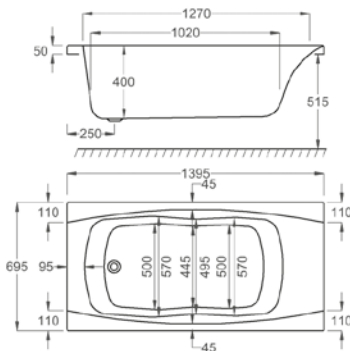
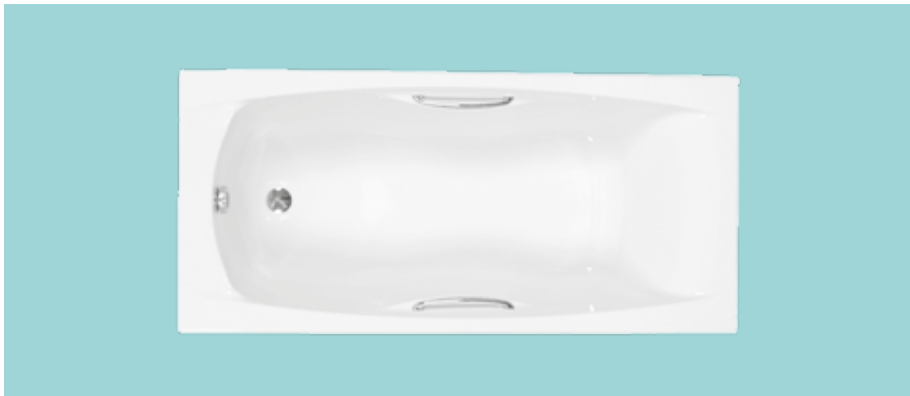


- FEATURES:** **C** Carronite **P** Panel  
**H** HandGrips **W** Whirlpool
- CAPACITY:** 142 Litres
- WHIRLPOOL:** Systems ① ② ③ ④ ⑤ ⑥
- KIT REF:** Standard - AK-01  
 Carronite - AK-01-C
- SIZES:** 1400x700, 1500x700,  
 1600x700, 1650x700,  
 1675x700, 1700x700

# Imperial TG

Length. **1400mm** | Width. **700mm** | Height. **515mm**

	5mm	Code	Carronite	Code
<b>Imperial 1400 TG</b>	<b>£235</b>	<b>02455</b>	<b>£436</b>	<b>02456</b>
Front Panel (1400x515)	£101	02280	£146	02266
End Panel (700x515)	£80	02285	£106	02271
Screen CFS-1 (H=1400mm)	£167	02344	£167	02344
Screen CFS-2 (H=1500mm)	£188	02346	£188	02346

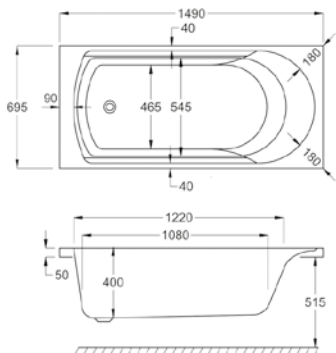


- FEATURES:**    **C** Carronite    **P** Panel  
                          **H** Hand Grips    **W** Whirlpool
- CAPACITY:**    135 Litres
- WHIRLPOOL:**    Systems ① ④
- KIT REF:**        Standard - AK-01  
                          Carronite - AK-01-C
- SIZES:**         1400x700, 1500x700,  
                          1600x700, 1675x700,  
                          1700x700, 1800x750

# Arc SE

Length. **1500mm** | Width. **700mm** | Height. **515mm**

	5mm	Code	Carronite	Code
<b>Arc 1500</b>	<b>£224</b>	<b>02443</b>	<b>£431</b>	<b>02444</b>
L-Shaped Panel (1500x700x515)	-	-	£288	02502
Front Panel (1500x515)	£101	02315	£146	02314
End Panel (700x515)	£80	02285	£106	02271
Screen CFS-1 (H=1400mm)	£167	02344	£167	02344
Screen CFS-2 (H=1500mm)	£188	02346	£188	02346
Grips CCG-2	£32	02356	£32	02356



**FEATURES:** **C** Carronite **P** Panel  
**H** Hand Grips **W** Whirlpool

**CAPACITY:** 150 Litres

**WHIRLPOOL:** Systems ① ④

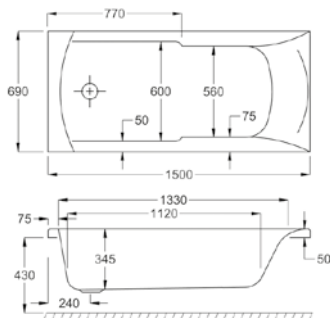
**KIT REF:** Standard - AK-01  
 Carronite - AK-01-C

**SIZES:** 1500x700, 1700x700,  
 1700x750

# Axis

Length. **1500mm** | Width. **700mm** | Height. **430mm**

	5mm	Code	Carronite	Code
<b>Axis</b>	<b>£240</b>	<b>02029</b>	<b>£450</b>	<b>02030</b>
L-Shaped Panel (1500x700x430)	-	-	£288	02499
Front Panel (1500x430)	£101	02252	£146	02253
End Panel (700x430)	£80	02258	£106	02259
Screen CFS-1 (H=1400mm)	£167	02344	£167	02344
Screen CFS-2 (H=1500mm)	£188	02346	£188	02346
Grips CCG-2	£32	02356	£32	02356



#### FEATURES:

- C** Carronite
- P** Panel
- H** Hand Grips
- A** Accessible
- S** Water Saver

#### CAPACITY:

131 Litres

#### WHIRLPOOL:

N/A

#### KIT REF:

Standard - AK-01  
Carronite - AK-01-C

#### SIZES:

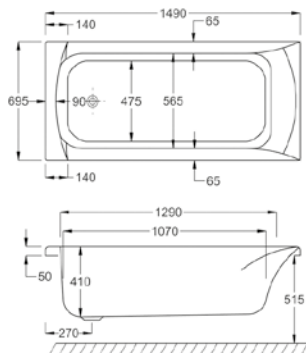
1500x700, 1600x700,  
1650x700, 1700x700



# Delta

Length. **1500mm** | Width. **700mm** | Height. **515mm**

	5mm	Code	Carronite	Code
<b>Delta 1500</b>	<b>£308</b>	<b>02051</b>	<b>£558</b>	<b>02052</b>
L-Shaped Panel (1500x700x515)	-	-	£288	02502
Front Panel (1500x515)	£101	02315	£146	02314
End Panel (700x515)	£80	02285	£106	02271
Screen CFS-1 (H=1400mm)	£167	02344	£167	02344
Screen CFS-2 (H=1500mm)	£188	02346	£188	02346
Grips CCG-1	£43	02357	£43	02357



**FEATURES:** **C** Carronite **P** Panel  
**H** Hand Grips **W** Whirlpool

**CAPACITY:** 152 Litres

**WHIRLPOOL:** Systems ① ② ③ ④ ⑤ ⑥

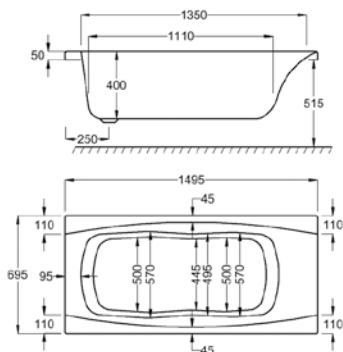
**KIT REF:** Standard - AK-01  
Carronite - AK-01-C

**SIZES:** 1400x700, 1500x700,  
1600x700, 1650x700,  
1675x700, 1700x700

# Imperial TG

Length. **1500mm** | Width. **700mm** | Height. **515mm**

	5mm	Code	Carronite	Code
<b>Imperial TG</b>	<b>£235</b>	<b>02108</b>	<b>£436</b>	<b>02109</b>
L-Shaped Panel (1500x700x515)	-	-	£288	02502
Front Panel (1500x515)	£101	02315	£146	02314
End Panel (700x515)	£80	02285	£106	02271
Screen CFS-1 (H=1400mm)	£167	02344	£167	02344
Screen CFS-2 (H=1500mm)	£188	02346	£188	02346



#### FEATURES:

- C Carronite    P Panel  
H Hand Grips    W Whirlpool

#### CAPACITY:

145 Litres

#### WHIRLPOOL:

Systems ① ④

#### KIT REF:

Standard - AK-01  
 Carronite - AK-01-C

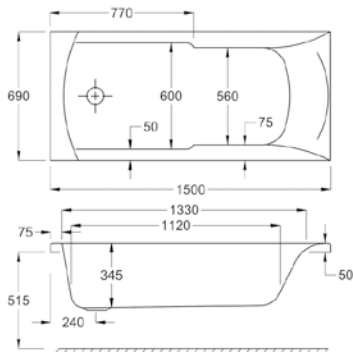
#### SIZES:

1400x700, 1500x700,  
 1600x700, 1675x700,  
 1700x700, 1800x750

# Matrix

Length. **1500mm** | Width. **700mm** | Height. **515mm**

	5mm	Code	Carronite	Code
<b>Matrix</b>	<b>£240</b>	<b>02122</b>	<b>£450</b>	<b>02123</b>
L-Shaped Panel (1500x700x515)	-	-	£288	02502
Front Panel (1500x515)	£101	02315	£146	02314
End Panel (700x515)	£80	02285	£106	02271
Screen CFS-1 (H=1400mm)	£167	02344	£167	02344
Screen CFS-2 (H=1500mm)	£188	02346	£188	02346
Grips CCG-2	£32	02356	£32	02356



**FEATURES:** **C** Carronite **P** Panel  
**H** Hand Grips  
**S** Water Saver

**CAPACITY:** 131 Litres

**WHIRLPOOL:** N/A

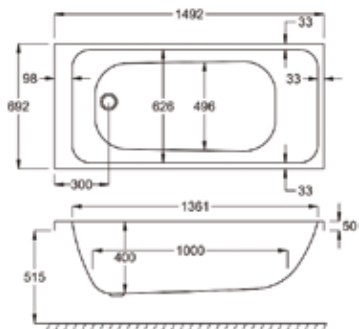
**KIT REF:** Standard - AK-02  
 Carronite - AK-02-C

**SIZES:** 1500x700, 1600x700,  
 1650x700, 1700x700

## Profile SE

Length. **1500mm** | Width. **700mm** | Height. **515mm**

Profile	5mm	Code	Carronite	Code
<b>Profile</b>	<b>£276</b>	<b>02418</b>	<b>£511</b>	<b>02419</b>
L-Shaped Panel (1500x700x515)	-	-	£288	02502
Front Panel (1500x515)	£101	02315	£146	02314
End Panel (700x515)	£80	02285	£106	02271
Screen CFS-1 (H=1400mm)	£167	02344	£167	02344
Screen CFS-2 (H=1500mm)	£188	02346	£188	02346



**FEATURES:** **C** Carronite **P** Panel

**CAPACITY:** 190 Litres

**WHIRLPOOL:** N/A

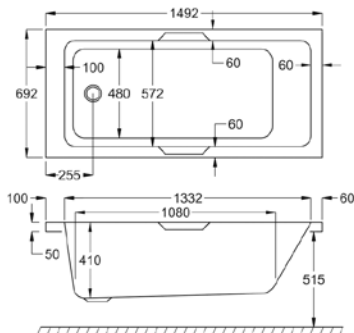
**KIT REF:** Standard – AK-01  
Carronite – AK-01-C

**SIZES:** 1500x700, 1600x700,  
1700x700, 1700x750,  
1750x750, 1800x700

# Quantum Integra

Length. **1500mm** | Width. **700mm** | Height. **515mm**

	5mm	Code	Carronite	Code
<b>Quantum Integra</b>	<b>£278</b>	<b>02165</b>	<b>£484</b>	<b>02166</b>
L-Shaped Panel (1500x700x515)	-	-	£288	02502
Front Panel (1500x515)	£101	02315	£146	02314
End Panel (700x515)	£80	02285	£106	02271
Screen CFS-1 (H=1400mm)	£167	02344	£167	02344
Screen CFS-2 (H=1500mm)	£188	02346	£188	02346



**FEATURES:** **C** Carronite **P** Panel  
**H** Hand Grips **W** Whirlpool

**CAPACITY:** 198 Litres

**WHIRLPOOL:** Systems ① ④

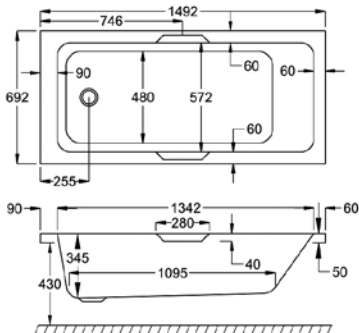
**KIT REF:** Standard - AK-01  
 Carronite - AK-01-C

**SIZES:** 1500x700, 1600x700,  
 1650x700, 1700x700,  
 1700x750, 1700x800,  
 1750x750, 1800x800

# Quantum Integra Eco 430

Length. **1500mm** | Width. **700mm** | Height. **430mm**

	5mm	Code	Carronite	Code
<b>Quantum Integra Eco 430</b>	<b>£278</b>	<b>02447</b>	<b>£484</b>	<b>02448</b>
L-Shaped Panel (1500x700x430)	-	-	£288	02499
Front Panel (1500x430)	£101	02252	£146	02253
End Panel (700x430)	£80	02258	£106	02259
Screen CFS-1 (H=1400mm)	£167	02344	£167	02344
Screen CFS-2 (H=1500mm)	£188	02346	£188	02346



#### FEATURES:

- C** Carronite
- P** Panel
- H** HandGrips
- A** Accessible
- S** Water Saver

#### CAPACITY:

152 Litres

#### WHIRLPOOL:

N/A

#### KIT REF:

Standard - AK-01  
Carronite - AK-01-C

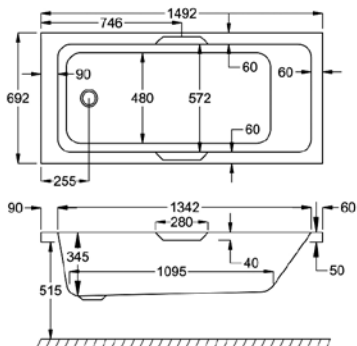
#### SIZES:

1500x700 (H=430),  
1600x700 (H=430),  
1700x700 (H=430)

# Quantum Integra Eco 515

Length. **1500mm** | Width. **700mm** | Height. **515mm**

	5mm	Code	Carronite	Code
<b>Quantum Integra Eco 515</b>	<b>£278</b>	<b>02447*</b>	<b>£484</b>	<b>02448*</b>
L-Shaped Panel (1500x700x515)	-	-	£288	02502
Front Panel (1500x515)	£101	02315	£146	02314
End Panel (700x515)	£80	02285	£106	02271
Screen CFS-1 (H=1400mm)	£167	02344	£167	02344
Screen CFS-2 (H=1500mm)	£188	02346	£188	02346



**FEATURES:** **C** Carronite **P** Panel  
**H** HandGrips  
**S** Water Saver

**CAPACITY:** 152 Litres

**WHIRLPOOL:** N/A

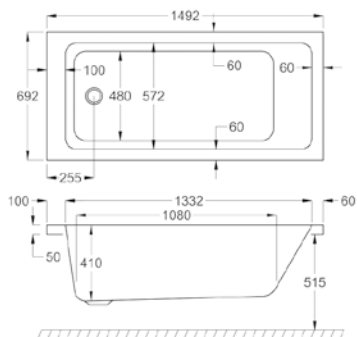
**KIT REF:** Standard - AK-02  
 Carronite - AK-02-C

**SIZES:** 1500x700 (H=515),  
 1600x700 (H=515),  
 1700x700 (H=515)

# Quantum SE

Length. **1500mm** | Width. **700mm** | Height. **515mm**

	5mm	Code	Carronite	Code
<b>Quantum SE</b>	<b>£240</b>	<b>02141</b>	<b>£452</b>	<b>02142</b>
L-Shaped Panel (1500x700x515)	-	-	£288	02502
Front Panel (1500x515)	£101	02315	£146	02314
End Panel (700x515)	£80	02285	£106	02271
Screen CFS-1 (H=1400mm)	£167	02344	£167	02344
Screen CFS-2 (H=1500mm)	£188	02346	£188	02346



**FEATURES:** **C** Carronite **P** Panel  
**W** Whirlpool

**CAPACITY:** 198 Litres

**WHIRLPOOL:** Systems ① ④

**KIT REF:** Standard - AK-01  
Carronite - AK-01-C

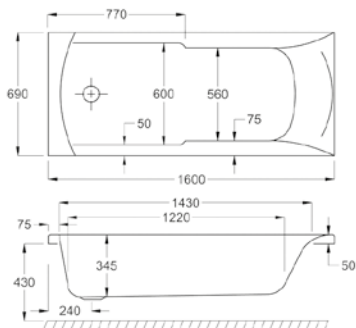
**SIZES:** 1500x700, 1600x700,  
1600x800, 1700x700,  
1700x750, 1700x800,  
1700x900, 1800x725,  
1800x800



# Axis

Length. **1600mm** | Width. **700mm** | Height. **430mm**

	5mm	Code	Carronite	Code
<b>Axis</b>	<b>£240</b>	<b>02033</b>	<b>£450</b>	<b>02034</b>
L-Shaped Panel (1600x700x430)	-	-	£288	02500
Front Panel (1600x430)	£101	02254	£146	02255
End Panel (700x430)	£80	02258	£106	02259
Screen CFS-1 (H=1400mm)	£167	02344	£167	02344
Screen CFS-2 (H=1500mm)	£188	02346	£188	02346
Grips CCG-2	£32	02356	£32	02356

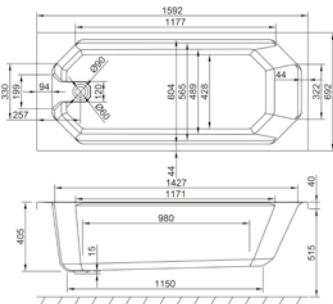


<b>FEATURES:</b>	<b>C</b> Carronite	<b>P</b> Panel
	<b>H</b> HandGrips	<b>A</b> Accessible
	<b>S</b> Water Saver	
<b>CAPACITY:</b>	138 Litres	
<b>WHIRLPOOL:</b>	N/A	
<b>KIT REF:</b>	Standard - AK-01 Carronite - AK-01-C	
<b>SIZES:</b>	1500x700, 1600x700, 1650x700, 1700x700	

# Camden

Length. **1600mm** | Width. **700mm** | Height. **515mm**

	5mm	Code	Carronite	Code
<b>Camden</b>	<b>£276</b>	<b>02555</b>	<b>£511</b>	<b>02556</b>
L-Shaped Panel (1600x700x515)	-	-	£288	02503
Front Panel (1600x515)	£101	02316	£146	02317
End Panel (700x515)	£80	02285	£106	02271
Screen CFS-1 (H=1400mm)	£167	02344	£167	02344
Screen CFS-2 (H=1500mm)	£188	02346	£188	02346



**FEATURES:** **C** Carronite **P** Panel

**CAPACITY:** 192 Litres

**WHIRLPOOL:** N/A

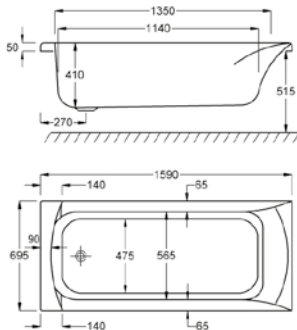
**KIT REF:** Standard - AK-01  
Carronite - AK-01-C

**SIZES:** 1600x700, 1650x700,  
1700x700

# Delta

Length. **1600mm** | Width. **700mm** | Height. **515mm**

	5mm	Code	Carronite	Code
<b>Delta</b>	<b>£308</b>	<b>02055</b>	<b>£558</b>	<b>02056</b>
L-Shaped Panel (1600x700x515)	-	-	£288	02503
Front Panel (1600x515)	£101	02316	£146	02317
End Panel (700x515)	£80	02285	£106	02271
Screen CFS-1 (H=1400mm)	£167	02344	£167	02344
Screen CFS-2 (H=1500mm)	£188	02346	£188	02346
Grips CCG-1	£43	02357	£43	02357

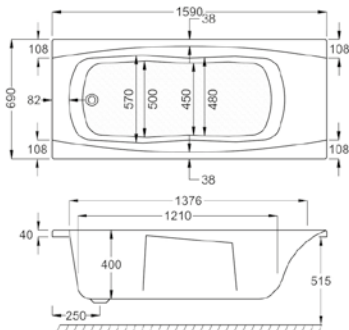
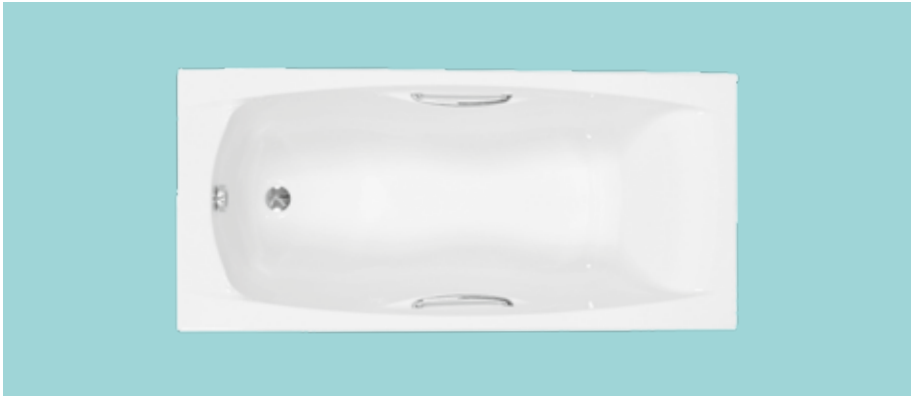


- FEATURES:** **C** Carronite **P** Panel  
**H** Hand Grips **W** Whirlpool
- CAPACITY:** 162 Litres
- WHIRLPOOL:** Systems ① ② ③ ④ ⑤ ⑥
- KIT REF:** Standard - AK-01  
Carronite - AK-01-C
- SIZES:** 1400x700, 1500x700,  
1600x700, 1650x700,  
1675x700, 1700x700

# Imperial TG

Length. **1600mm** | Width. **700mm** | Height. **515mm**

	5mm	Code	Carronite	Code
<b>Imperial TG</b>	<b>£235</b>	<b>02110</b>	<b>£436</b>	<b>02111</b>
L-Shaped Panel (1600x700x515)	-	-	£288	02503
Front Panel (1600x515)	£101	02316	£146	02317
End Panel (700x515)	£80	02285	£106	02271
Screen CFS-1 (H=1400mm)	£167	02344	£167	02344
Screen CFS-2 (H=1500mm)	£188	02346	£188	02346



#### FEATURES:

- C** Carronite
- P** Panel
- H** Hand Grips
- W** Whirlpool

#### CAPACITY:

162 Litres

#### WHIRLPOOL:

Systems ① ④

#### KIT REF:

Standard - AK-01  
Carronite - AK-01-C

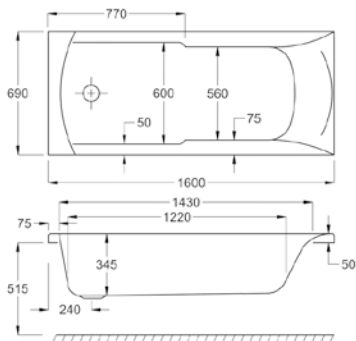
#### SIZES:

1400x700, 1500x700,  
1600x700, 1675x700,  
1700x700, 1800x750

# Matrix

Length. **1600mm** | Width. **700mm** | Height. **515mm**

	5mm	Code	Carronite	Code
<b>Matrix</b>	<b>£240</b>	<b>02124</b>	<b>£450</b>	<b>02125</b>
L-Shaped Panel (1600x700x515)	-	-	£288	02503
Front Panel (1600x515)	£101	02316	£146	02317
End Panel (700x515)	£80	02285	£106	02271
Screen CFS-1 (H=1400mm)	£167	02344	£167	02344
Screen CFS-2 (H=1500mm)	£188	02346	£188	02346
Grips CCG-2	£32	02356	£32	02356



**FEATURES:** **C** Carronite **P** Panel  
**H** Hand Grips  
**S** Water Saver

**CAPACITY:** 138 Litres

**WHIRLPOOL:** N/A

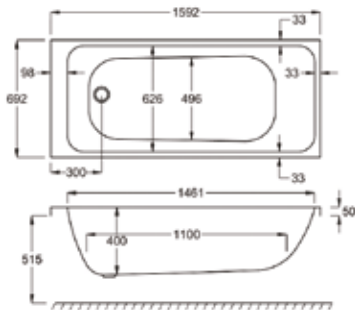
**KIT REF:** Standard - AK-02  
 Carronite - AK-02-C

**SIZES:** 1500x700, 1600x700,  
 1650x700, 1700x700

## Profile SE

Length. **1600mm** | Width. **700mm** | Height. **515mm**

Profile	5mm	Code	Carronite	Code
<b>Profile</b>	<b>£276</b>	<b>02420</b>	<b>£511</b>	<b>02421</b>
L-Shaped Panel (1600x700x515)	-	-	£288	02503
Front Panel (1600x515)	£101	02316	£146	02317
End Panel (700x515)	£80	02285	£106	02271
Screen CFS-1 (H=1400mm)	£167	02344	£167	02344
Screen CFS-2 (H=1500mm)	£188	02346	£188	02346



**FEATURES:**  Carronite  Panel

**CAPACITY:** 204 Litres

**WHIRLPOOL:** N/A

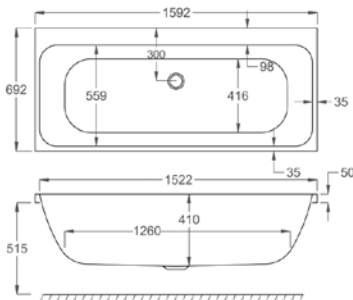
**KIT REF:** Standard – AK-01  
Carronite – AK-01-C

**SIZES:** 1500x700, 1600x700,  
1700x700, 1700x750,  
1750x750, 1800x700

# Profile Duo

Length. **1600mm** | Width. **700mm** | Height. **515mm**

	5mm	Code	Carronite	Code
<b>Profile Duo</b>	<b>£276</b>	<b>02199</b>	<b>£511</b>	<b>02200</b>
L-Shaped Panel (1600x700x515)	-	-	£288	02503
Front Panel (1600x515)	£101	02316	£146	02317
End Panel (700x515)	£80	02285	£106	02271
Screen CFS-1 (H=1400mm)	£167	02344	£167	02344
Screen CFS-2 (H=1500mm)	£188	02346	£188	02346



**FEATURES:** **C** Carronite **P** Panel

**CAPACITY:** 188 Litres

**WHIRLPOOL:** N/A

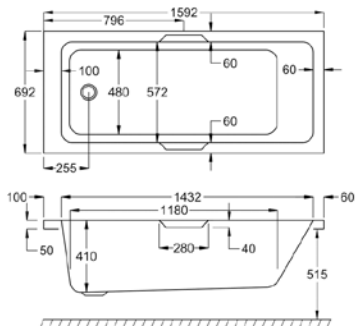
**KIT REF:** Standard - AK-01  
Carronite - AK-01-C

**SIZES:** 1600x700, 1600x800,  
1650x700, 1700x700,  
1700x750, 1750x750,  
1800x700

# Quantum Integra

Length. **1600mm** | Width. **700mm** | Height. **515mm**

	5mm	Code	Carronite	Code
<b>Quantum integra</b>	<b>£278</b>	<b>02167</b>	<b>£484</b>	<b>02168</b>
L-Shaped Panel (1600x700x515)	-	-	£288	02503
Front Panel (1600x515)	£101	02316	£146	02317
End Panel (700x515)	£80	02285	£106	02271
Screen CFS-1 (H=1400mm)	£167	02344	£167	02344
Screen CFS-2 (H=1500mm)	£188	02346	£188	02346



#### FEATURES:

- C Carronite   
 P Panel  
H Hand Grips   
 W Whirlpool

#### CAPACITY:

213 Litres

#### WHIRLPOOL:

Systems ① ④

#### KIT REF:

Standard - AK-01  
Carronite - AK-01-C

#### SIZES:

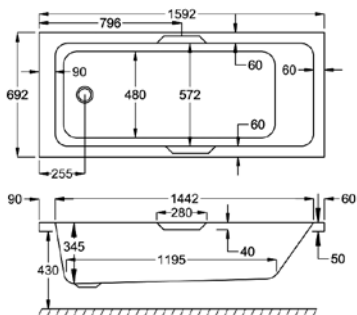
1500x700, 1600x700,  
1650x700, 1700x700,  
1700x750, 1700x800,  
1750x750, 1800x800



# Quantum Integra Eco 430

Length. **1600mm** | Width. **700mm** | Height. **430mm**

	5mm	Code	Carronite	Code
<b>Quantum Integra Eco 430</b>	<b>£278</b>	<b>02449</b>	<b>£484</b>	<b>02450</b>
L-Shaped Panel (1600x700x430)	-	-	£288	02500
Front Panel (1600x430)	£101	02254	£146	02255
End Panel (700x430)	£80	02258	£106	02259
Screen CFS-1 (H=1400mm)	£167	02344	£167	02344
Screen CFS-2 (H=1500mm)	£188	02346	£188	02346



**FEATURES:**

- C** Carronite
- P** Panel
- H** HandGrips
- A** Accessible
- S** Water Saver

**CAPACITY:**

165 Litres

**WHIRLPOOL:**

N/A

**KIT REF:**

Standard - AK-01  
Carronite - AK-01-C

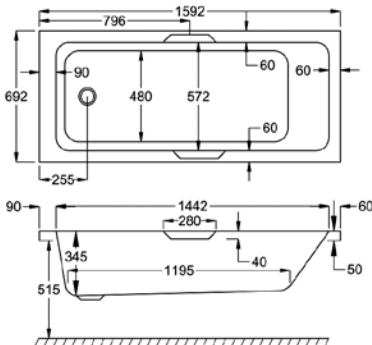
**SIZES:**

1500x700 (H=430),  
1600x700 (H=430),  
1700x700 (H=430)

# Quantum Integra Eco 515

Length. **1600mm** | Width. **700mm** | Height. **515mm**

	5mm	Code	Carronite	Code
<b>Quantum Integra Eco 515</b>	<b>£278</b>	<b>02449*</b>	<b>£484</b>	<b>02450*</b>
L-Shaped Panel (1600x700x515)	-	-	£288	02503
Front Panel (1600x515)	£101	02316	£146	02317
End Panel (700x515)	£80	02285	£106	02271
Screen CFS-1 (H=1400mm)	£167	02344	£167	02344
Screen CFS-2 (H=1500mm)	£188	02346	£188	02346



#### FEATURES:

- C** Carronite
- P** Panel
- H** Hand Grips
- S** Water Saver

#### CAPACITY:

165 Litres

#### WHIRLPOOL:

N/A

#### KIT REF:

Standard - AK-02  
Carronite - AK-02-C

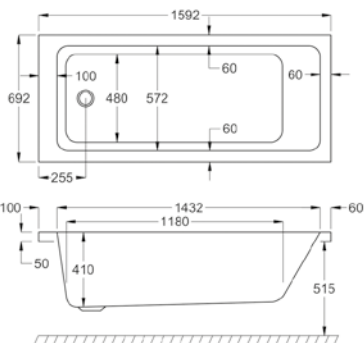
#### SIZES:

1500x700 (H=515),  
1600x700 (H=515),  
1700x700 (H=515)

# Quantum SE

Length. **1600mm** | Width. **700mm** | Height. **515mm**

	5mm	Code	Carronite	Code
<b>Quantum SE</b>	<b>£240</b>	<b>02143</b>	<b>£452</b>	<b>02144</b>
L-Shaped Panel (1600x700x515)	-	-	£288	02503
Front Panel (1600x515)	£101	02316	£146	02317
End Panel (700x515)	£80	02285	£106	02271
Screen CFS-1 (H=1400mm)	£167	02344	£167	02344
Screen CFS-2 (H=1500mm)	£188	02346	£188	02346



**FEATURES:** **C** Carronite **P** Panel  
**W** Whirlpool

**CAPACITY:** 213 Litres

**WHIRLPOOL:** Systems ① ④

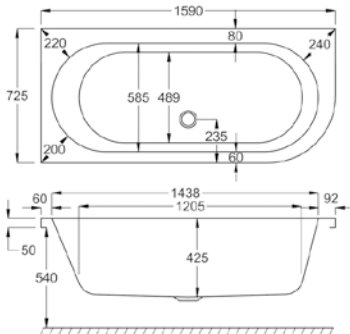
**KIT REF:** Standard - AK-01  
Carronite - AK-01-C

**SIZES:** 1500x700, 1600x700,  
1600x800, 1700x700,  
1700x750, 1700x800,  
1700x900, 1800x725,  
1800x800

# Status

Length. **1600mm** | Width. **725mm** | Height. **540mm**

	5mm	Code	Carronite	Code
<b>Status (LH)</b>	<b>£439</b>	<b>02209</b>	<b>£744</b>	<b>02210</b>
<b>Status (RH)</b>	<b>£439</b>	<b>02211</b>	<b>£744</b>	<b>02212</b>
Status Front Panel 1600	£212	02334	£301	02335
Screen CFS-1 (H=1400mm)	£167	02344	£167	02344
Screen CFS-2 (H=1500mm)	£188	02346	£188	02346



**FEATURES:** **C** Carronite **P** Panel  
**W** Whirlpool

**CAPACITY:** 197 Litres

**WHIRLPOOL:** Systems ① ④

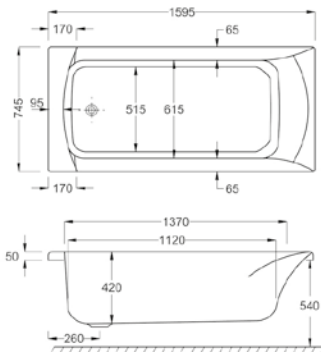
**KIT REF:** Standard - AK-01  
Carronite - AK-01-C

**SIZES:** 1600x725, 1700x725,  
1700x800

# Sigma

Length. **1600mm** | Width. **750mm** | Height. **540mm**

	5mm	Code	Carronite	Code
<b>Sigma</b>	<b>£410</b>	<b>02442</b>	<b>£659</b>	<b>02454</b>
Front Panel (1600x540)	£113	02281	£153	02267
End Panel (750x540)	£80	02289	£106	02275
Screen CFS-1 (H=1400mm)	£167	02344	£167	02344
Screen CFS-2 (H=1500mm)	£188	02346	£188	02346
Grips CCG-1	£43	02357	£43	02357



**FEATURES:** **C** Carronite **P** Panel  
**H** Hand Grips **W** Whirlpool

**CAPACITY:** 175 Litres

**WHIRLPOOL:** Systems ① ② ③ ④ ⑤ ⑥

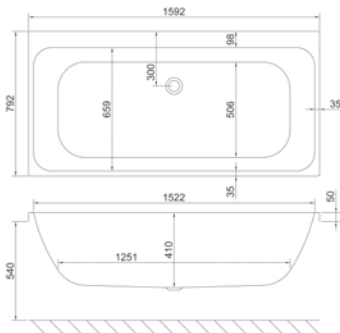
**KIT REF:** Standard - AK-01  
Carronite - AK-01-C

**SIZES:** 1600x750, 1700x750,  
1700x800, 1800x800,  
1900x900

## Profile Duo

Length. **1600mm** | Width. **800mm** | Height. **540mm**

	5mm	Code	Carronite	Code
<b>Profile Duo</b>	<b>£346</b>	<b>02589</b>	<b>£599</b>	<b>02590</b>
L-Shaped Panel (1600x800x540)	-	-	£288	02567
Front Panel (1600x540)	£113	02281	£153	02267
End Panel (800x540)	£80	02291	£106	02277
Screen CFS-1 (H=1400mm)	£167	02344	£167	02344
Screen CFS-2 (H=1500mm)	£188	02346	£188	02346



**FEATURES:** **C** Carronite **P** Panel

**CAPACITY:** 215 Litres

**WHIRLPOOL:** N/A

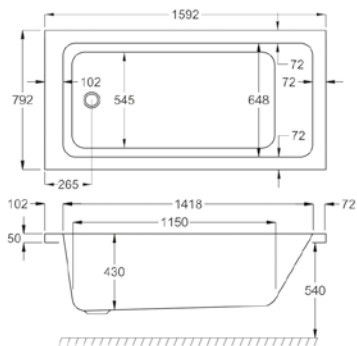
**KIT REF:** Standard - AK-03  
Carronite - AK-03-C

**SIZES:** 1600x700, 1600x800,  
1650x700, 1700x700,  
1700x750, 1750x750,  
1800x700

# Quantum SE

Length. **1600mm** | Width. **800mm** | Height. **540mm**

	5mm	Code	Carronite	Code
<b>Quantum SE</b>	<b>£332</b>	<b>02145</b>	<b>£534</b>	<b>02146</b>
L-Shaped Panel (1600x800x540)	-	-	£288	02567
Front Panel (1600x540)	£113	02281	£153	02267
End Panel (800x540)	£80	02291	£106	02277
Screen CFS-1 (H=1400mm)	£167	02344	£167	02344
Screen CFS-2 (H=1500mm)	£188	02346	£188	02346



**FEATURES:** **C** Carronite **P** Panel  
**W** Whirlpool

**CAPACITY:** 247 Litres

**WHIRLPOOL:** Systems ① ② ③ ④ ⑤ ⑥

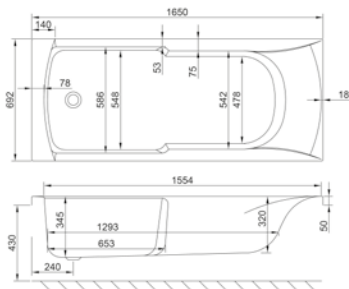
**KIT REF:** Standard - AK-03  
Carronite - AK-03-C

**SIZES:** 1500x700, 1600x700,  
1600x800, 1700x700,  
1700x750, 1700x800,  
1700x900, 1800x725,  
1800x800

# Axis

Length. **1650mm** | Width. **700mm** | Height. **430mm**

	5mm	Code	Carronite	Code
<b>Axis</b>	<b>£240</b>	<b>02585</b>	<b>£450</b>	<b>02586</b>
L-Shaped Panel (1650x700x430)	-	-	£288	02597
Front Panel (1650x430)	£101	02598	£146	02599
End Panel (700x430)	£80	02258	£106	02259
Screen CFS-1 (H=1400mm)	£167	02344	£167	02344
Screen CFS-2 (H=1500mm)	£188	02346	£188	02346
Grips CCG-2	£32	02356	£32	02356



**FEATURES:** **C** Carronite **P** Panel  
**H** HandGrips **A** Accessible  
**S** Water Saver

**CAPACITY:** 142 Litres

**WHIRLPOOL:** N/A

**KIT REF:** Standard - AK-01  
 Carronite - AK-01-C

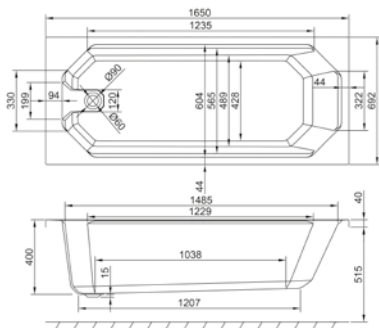
**SIZES:** 1500x700, 1600x700,  
 1650x700, 1700x700



# Camden

Length. **1650mm** | Width. **700mm** | Height. **515mm**

	5mm	Code	Carronite	Code
<b>Camden</b>	<b>£276</b>	<b>02557</b>	<b>£511</b>	<b>02558</b>
L-Shaped Panel (1650x700x515)	-	-	£288	02531
Front Panel (1650x515)	£101	02282	£146	02268
End Panel (700x515)	£80	02285	£106	02271
Screen CFS-1 (H=1400mm)	£167	02344	£167	02344
Screen CFS-2 (H=1500mm)	£188	02346	£188	02346



**FEATURES:** **C** Carronite **P** Panel

**CAPACITY:** 200 Litres

**WHIRLPOOL:** N/A

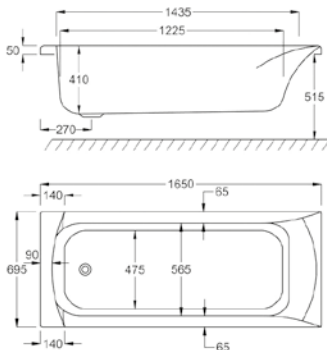
**KIT REF:** Standard - AK-01  
Carronite - AK-01-C

**SIZES:** 1600x700, 1650x700,  
1700x700

# Delta

Length. **1650mm** | Width. **700mm** | Height. **515mm**

	5mm	Code	Carronite	Code
<b>Delta</b>	<b>£308</b>	<b>02059</b>	<b>£558</b>	<b>02060</b>
L-Shaped Panel (1650x700x515)	-	-	£288	02531
Front Panel (1650x515)	£101	02282	£146	02268
End Panel (700x515)	£80	02285	£106	02271
Screen CFS-1 (H=1400mm)	£167	02344	£167	02344
Screen CFS-2 (H=1500mm)	£188	02346	£188	02346
Grips CCG-1	£43	02357	£43	02357



**FEATURES:** **C** Carronite **P** Panel  
**H** Hand Grips **W** Whirlpool

**CAPACITY:** 167 Litres

**WHIRLPOOL:** Systems ① ② ③ ④ ⑤ ⑥

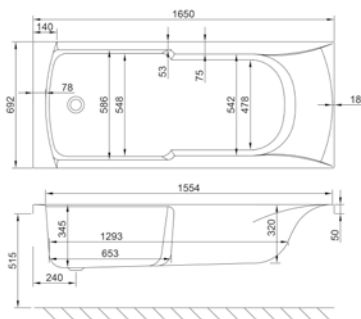
**KIT REF:** Standard - AK-01  
Carronite - AK-01-C

**SIZES:** 1400x700, 1500x700,  
1600x700, 1650x700,  
1675x700, 1700x700

# Matrix

Length. **1650mm** | Width. **700mm** | Height. **515mm**

	5mm	Code	Carronite	Code
<b>Matrix</b>	<b>£240</b>	<b>02587</b>	<b>£450</b>	<b>02588</b>
L-Shaped Panel (1650x700x515)	-	-	£288	02531
Front Panel (1650x515)	£101	02282	£146	02268
End Panel (700x515)	£80	02285	£106	02271
Screen CFS-1 (H=1400mm)	£167	02344	£167	02344
Screen CFS-2 (H=1500mm)	£188	02346	£188	02346
Grips CCG-2	£32	02356	£32	02356



**FEATURES:** **C** Carronite **P** Panel  
**H** Hand Grips  
**S** Water Saver

**CAPACITY:** 142 Litres

**WHIRLPOOL:** N/A

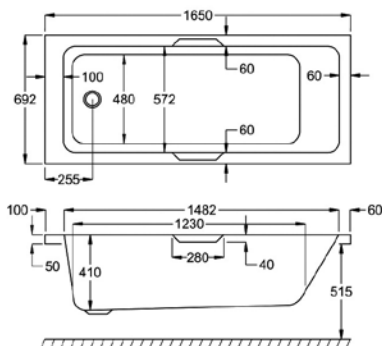
**KIT REF:** Standard - AK-02  
 Carronite - AK-02-C

**SIZES:** 1500x700, 1600x700,  
 1650x700, 1700x700

# Quantum Integra

Length. **1650mm** | Width. **700mm** | Height. **515mm**

	5mm	Code	Carronite	Code
<b>Quantum Integra</b>	<b>£278</b>	<b>02523</b>	<b>£484</b>	<b>02524</b>
L-Shaped Panel (1650x700x515)	-	-	£288	02531
Front Panel (1650x515)	£101	02282	£146	02268
End Panel (700x515)	£80	02285	£106	02271
Screen CFS-1 (H=1400mm)	£167	02344	£167	02344
Screen CFS-2 (H=1500mm)	£188	02346	£188	02346



**FEATURES:** **C** Carronite **P** Panel  
**H** Hand Grips **W** Whirlpool

**CAPACITY:** 216 Litres

**WHIRLPOOL:** Systems ① ④

**KIT REF:** Standard - AK-01  
Carronite - AK-01-C

**SIZES:** 1500x700, 1600x700,  
1650x700, 1700x700,  
1700x750, 1700x800,  
1750x750, 1800x800



Q U A N T U M   I N T E G R A

## Flexible style, flexible sizes

**Our Quantum range continues to go from strength to strength, providing style, flexibility and reliability in equal measure.**

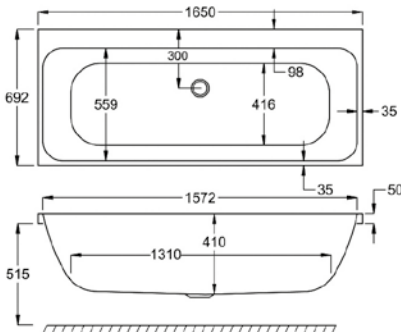
A great example of this is the Quantum Integra, a favourite for customers and fitters alike.

In 2020, we extended the range to feature a 1750x750mm size. This model fills the gap between 1700mm and 1800mm lengths, so there's a Quantum Integra ideal for any bathroom.

# Profile Duo

Length. **1650mm** | Width. **700mm** | Height. **515mm**

	5mm	Code	Carronite	Code
<b>Profile Duo</b>	<b>£276</b>	<b>02521</b>	<b>£511</b>	<b>02522</b>
L-Shaped Panel (1650x700x515)	-	-	£288	02531
Front Panel (1650x515)	£101	02282	£146	02268
End Panel (700x515)	£80	02285	£106	02271
Screen CFS-1 (H=1400mm)	£167	02344	£167	02344
Screen CFS-2 (H=1500mm)	£188	02346	£188	02346



**FEATURES:**    **C** Carronite    **P** Panel

**CAPACITY:**    196 Litres

**WHIRLPOOL:**    N/A

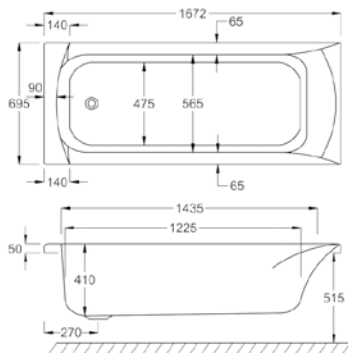
**KIT REF:**    Standard – AK-01  
Carronite – AK-01-C

**SIZES:**    1600x700, 1600x800,  
1650x700, 1700x700,  
1700x750, 1750x750,  
1800x700

# Delta

Length. **1675mm** | Width. **700mm** | Height. **515mm**

	5mm	Code	Carronite	Code
<b>Delta</b>	<b>£308</b>	<b>02063</b>	<b>£558</b>	<b>02064</b>
L-Shaped Panel (1675x700x515)	-	-	£288	02568
Front Panel (1675x515)	£101	02283	£146	02269
End Panel (700x515)	£80	02285	£106	02271
Screen CFS-1 (H=1400mm)	£167	02344	£167	02344
Screen CFS-2 (H=1500mm)	£188	02346	£188	02346
Grips CCG-1	£43	02357	£43	02357



**FEATURES:** **C** Carronite **P** Panel  
**H** Hand Grips **W** Whirlpool

**CAPACITY:** 170 Litres

**WHIRLPOOL:** Systems ① ② ③ ④ ⑤ ⑥

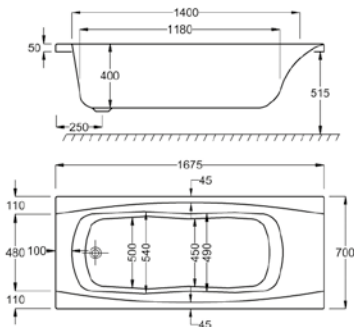
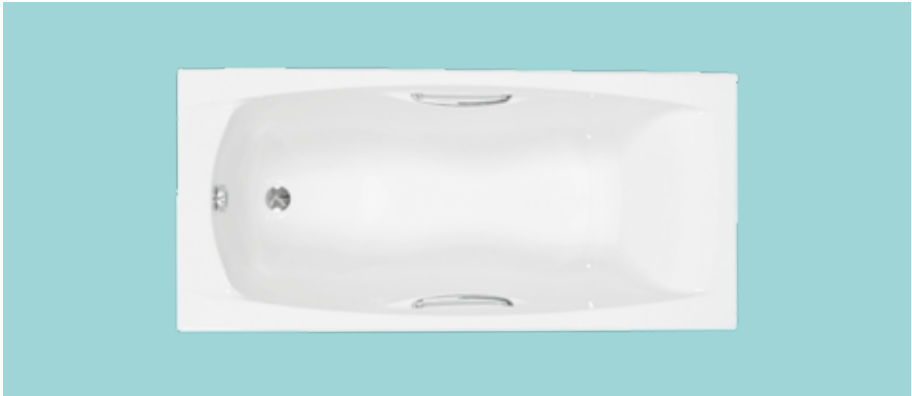
**KIT REF:** Standard - AK-01  
 Carronite - AK-01-C

**SIZES:** 1400x700, 1500x700,  
 1600x700, 1650x700,  
 1675x700, 1700x700

# Imperial TG

Length. **1675mm** | Width. **700mm** | Height. **515mm**

	5mm	Code	Carronite	Code
<b>Imperial TG</b>	<b>£235</b>	<b>02112</b>	<b>£436</b>	<b>02113</b>
L-Shaped Panel (1675x700x515)	-	-	£288	02568
Front Panel (1675x515)	£101	02283	£146	02269
End Panel (700x515)	£80	02285	£106	02271
Screen CFS-1 (H=1400mm)	£167	02344	£167	02344
Screen CFS-2 (H=1500mm)	£188	02346	£188	02346



#### FEATURES:

- C** Carronite
- P** Panel
- H** Hand Grips
- W** Whirlpool

**CAPACITY:** 180 Litres

**WHIRLPOOL:** Systems ① ② ③ ④ ⑤ ⑥

**KIT REF:** Standard - AK-01  
Carronite - AK-01-C

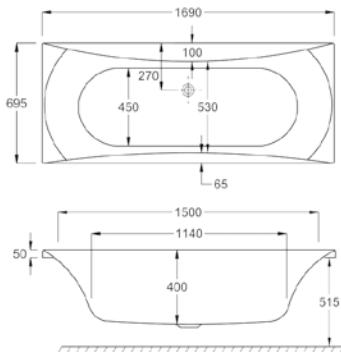
**SIZES:** 1400x700, 1500x700,  
1600x700, 1675x700,  
1700x700, 1800x750



# Alpha

Length. **1700mm** | Width. **700mm** | Height. **515mm**

	5mm	Code	Carronite	Code
<b>Alpha</b>	<b>£323</b>	<b>02005</b>	<b>£518</b>	<b>02006</b>
L-Shaped Panel (1700x700x515)	-	-	£288	02299
Front Panel (1700x515)	£101	02320	£146	02321
End Panel (700x515)	£80	02285	£106	02271



**FEATURES:** **C** Carronite **P** Panel  
**W** Whirlpool

**CAPACITY:** 160 Litres

**WHIRLPOOL:** Systems ① ② ③ ④ ⑤ ⑥

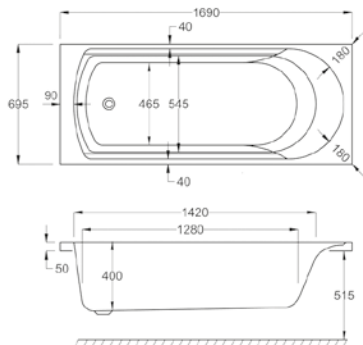
**KIT REF:** Standard - AK-01  
Carronite - AK-01-C

**SIZES:** 1700x700, 1700x750,  
1800x800

## Arc SE

Length. **1700mm** | Width. **700mm** | Height. **515mm**

	5mm	Code	Carronite	Code
<b>Arc SE</b>	<b>£224</b>	<b>02013</b>	<b>£431</b>	<b>02014</b>
L-Shaped Panel (1700x700x515)	-	-	£288	02299
Front Panel (1700x515)	£101	02320	£146	02321
End Panel (700x515)	£80	02285	£106	02271
Screen CFS-1 (H=1400mm)	£167	02344	£167	02344
Screen CFS-2 (H=1500mm)	£188	02346	£188	02346
Grips CCG-2	£32	02356	£32	02356



### FEATURES:

- C Carronite    P Panel  
H Hand Grips    W Whirlpool

**CAPACITY:** 172 Litres

**WHIRLPOOL:** Systems ① ② ③ ④ ⑤ ⑥

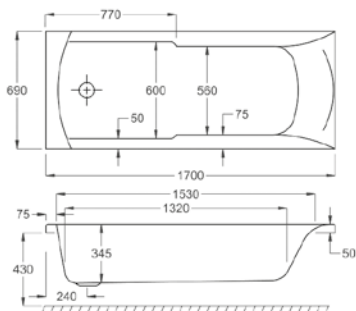
**KIT REF:** Standard - AK-01  
Carronite - AK-01-C

**SIZES:** 1500x700, 1700x700,  
1700x750

# Axis

Length. **1700mm** | Width. **700mm** | Height. **430mm**

	5mm	Code	Carronite	Code
<b>Axis</b>	<b>£240</b>	<b>02037</b>	<b>£450</b>	<b>02038</b>
L-Shaped Panel (1700x700x430)	-	-	£288	02501
Front Panel (1700x430)	£101	02256	£146	02257
End Panel (700x430)	£80	02258	£106	02259
Screen CFS-1 (H=1400mm)	£167	02344	£167	02344
Screen CFS-2 (H=1500mm)	£188	02346	£188	02346
Grips CCG-2	£32	02356	£32	02356

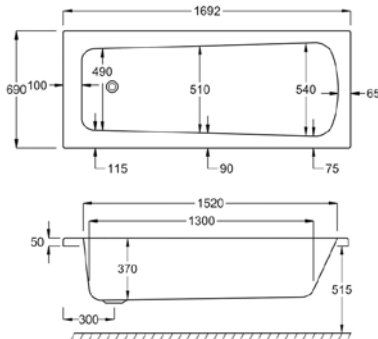


- FEATURES:**
- C** Carronite
  - P** Panel
  - H** Hand Grips
  - A** Accessible
  - S** Water Saver
- 
- CAPACITY:** 145 Litres
- 
- WHIRLPOOL:** N/A
- 
- KIT REF:** Standard - AK-01  
Carronite - AK-01-C
- 
- SIZES:** 1500x700, 1600x700,  
1650x700, 1700x700

# Britannia

Length. **1700mm** | Width. **700mm** | Height. **515mm**

	5mm	Code	Carronite	Code
<b>Britannia</b>	<b>£262</b>	<b>02043</b>	<b>£460</b>	<b>02044</b>
L-Shaped Panel (1700x700x515)	-	-	£288	02299
Front Panel (1700x515)	£101	02320	£146	02321
End Panel (700x515)	£80	02285	£106	02271
Screen CFS-1 (H=1400mm)	£167	02344	£167	02344
Screen CFS-2 (H=1500mm)	£188	02346	£188	02346



**FEATURES:** **C** Carronite **P** Panel

**CAPACITY:** 155 Litres

**WHIRLPOOL:** N/A

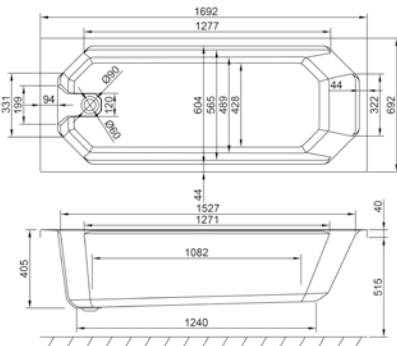
**KIT REF:** Standard - AK-02  
Carronite - AK-02-C

**SIZES:** 1700x700, 1700x750,  
1800x800

# Camden

Length. **1700mm** | Width. **700mm** | Height. **515mm**

	5mm	Code	Carronite	Code
<b>Camden</b>	<b>£276</b>	<b>02559</b>	<b>£511</b>	<b>02560</b>
L-Shaped Panel (1700x700x515)	-	-	£288	02299
Front Panel (1700x515)	£101	02320	£146	02321
End Panel (700x515)	£80	02285	£106	02271
Screen CFS-1 (H=1400mm)	£167	02344	£167	02344
Screen CFS-2 (H=1500mm)	£188	02346	£188	02346



**FEATURES:** **C** Carronite **P** Panel

**CAPACITY:** 209 Litres

**WHIRLPOOL:** N/A

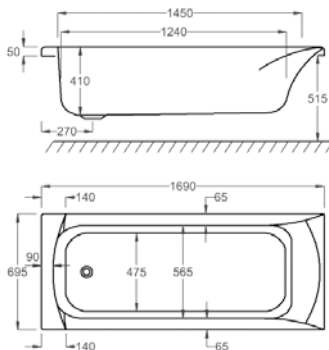
**KIT REF:** Standard - AK-01  
Carronite - AK-01-C

**SIZES:** 1600x700, 1650x700,  
1700x700

# Delta

Length. **1700mm** | Width. **700mm** | Height. **515mm**

	5mm	Code	Carronite	Code
<b>Delta</b>	<b>£308</b>	<b>02067</b>	<b>£558</b>	<b>02068</b>
L-Shaped Panel (1700x700x515)	-	-	£288	02299
Front Panel (1700x515)	£101	02320	£146	02321
End Panel (700x515)	£80	02285	£106	02271
Screen CFS-1 (H=1400mm)	£167	02344	£167	02344
Screen CFS-2 (H=1500mm)	£188	02346	£188	02346
Grips CCG-1	£43	02357	£43	02357



#### FEATURES:

- C Carronite    P Panel  
H Hand Grips    W Whirlpool

#### CAPACITY:

170 Litres

#### WHIRLPOOL:

Systems ① ② ③ ④ ⑤ ⑥

#### KIT REF:

Standard - AK-01  
Carronite - AK-01-C

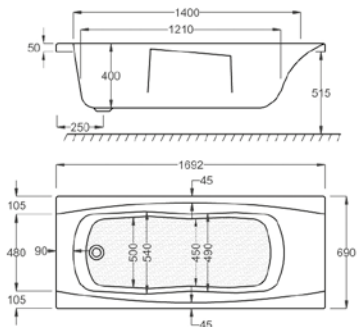
#### SIZES:

1400x700, 1500x700,  
1600x700, 1650x700,  
1675x700, 1700x700

# Imperial TG

Length. **1700mm** | Width. **700mm** | Height. **515mm**

	5mm	Code	Carronite	Code
<b>Imperial TG</b>	<b>£235</b>	<b>02114</b>	<b>£436</b>	<b>02115</b>
L-Shaped Panel (1700x700x515)	-	-	£288	02299
Front Panel (1700x515)	£101	02320	£146	02321
End Panel (700x515)	£80	02285	£106	02271
Screen CFS-1 (H=1400mm)	£167	02344	£167	02344
Screen CFS-2 (H=1500mm)	£188	02346	£188	02346



**FEATURES:** **C** Carronite **P** Panel  
**H** Hand Grips **W** Whirlpool

**CAPACITY:** 180 Litres

**WHIRLPOOL:** Systems ① ② ③ ④ ⑤ ⑥

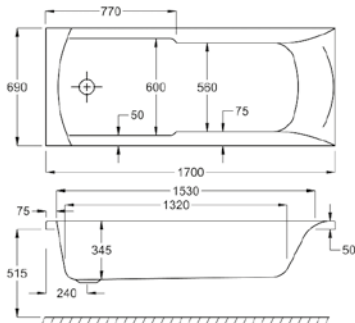
**KIT REF:** Standard - AK-01  
 Carronite - AK-01-C

**SIZES:** 1400x700, 1500x700,  
 1600x700, 1675x700,  
 1700x700, 1800x750

# Matrix

Length. **1700mm** | Width. **700mm** | Height. **515mm**

	5mm	Code	Carronite	Code
<b>Matrix</b>	<b>£240</b>	<b>02126</b>	<b>£450</b>	<b>02127</b>
L-Shaped Panel (1700x700x515)	-	-	£288	02299
Front Panel (1700x515)	£101	02320	£146	02321
End Panel (700x515)	£80	02285	£106	02271
Screen CFS-1 (H=1400mm)	£167	02344	£167	02344
Screen CFS-2 (H=1500mm)	£188	02346	£188	02346
Grips CCG-2	£32	02356	£32	02356



**FEATURES:** **C** Carronite **P** Panel  
**H** Hand Grips  
**S** Water Saver

**CAPACITY:** 145 Litres

**WHIRLPOOL:** N/A

**KIT REF:** Standard - AK-02  
 Carronite - AK-02-C

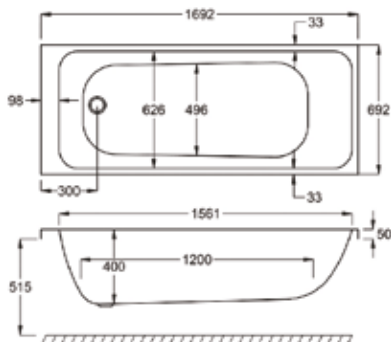
**SIZES:** 1500x700, 1600x700,  
 1650x700, 1700x700



# Profile SE

Length. **1700mm** | Width. **700mm** | Height. **515mm**

Profile	5mm	Code	Carronite	Code
<b>Profile</b>	<b>£276</b>	<b>02422</b>	<b>£511</b>	<b>02423</b>
L-Shaped Panel (1700x700x515)	-	-	£288	02299
Front Panel (1700x515)	£101	02320	£146	02321
End Panel (700x515)	£80	02285	£106	02271
Screen CFS-1 (H=1400mm)	£167	02344	£167	02344
Screen CFS-2 (H=1500mm)	£188	02346	£188	02346



**FEATURES:** **C** Carronite **P** Panel

**CAPACITY:** 218 Litres

**WHIRLPOOL:** N/A

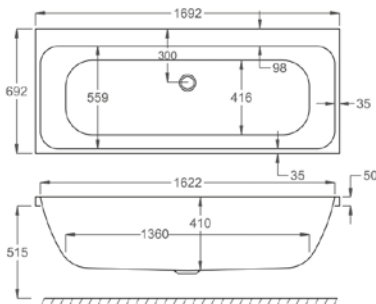
**KIT REF:** Standard - AK-01  
Carronite - AK-01-C

**SIZES:** 1500x700, 1600x700,  
1700x700, 1700x750,  
1750x750, 1800x700

## Profile Duo

Length. **1700mm** | Width. **700mm** | Height. **515mm**

	5mm	Code	Carronite	Code
<b>Profile Duo</b>	<b>£276</b>	<b>02191</b>	<b>£511</b>	<b>02192</b>
L-Shaped Panel (1700x700x515)	-	-	£288	02299
Front Panel (1700x515)	£101	02320	£146	02321
End Panel (700x515)	£80	02285	£106	02271
Screen CFS-1 (H=1400mm)	£167	02344	£167	02344
Screen CFS-2 (H=1500mm)	£188	02346	£188	02346



**FEATURES:** **C** Carronite **P** Panel

**CAPACITY:** 205 Litres

**WHIRLPOOL:** N/A

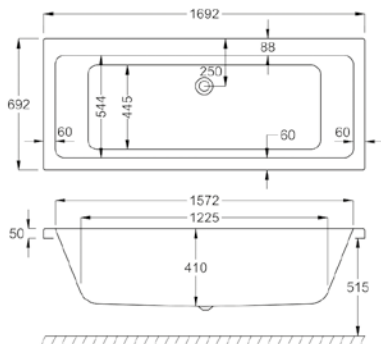
**KIT REF:** Standard – AK-01  
Carronite – AK-01-C

**SIZES:** 1600x700, 1600x800,  
1650x700, 1700x700,  
1700x750, 1750x750,  
1800x700

# Quantum Duo

Length. **1700mm** | Width. **700mm** | Height. **515mm**

	5mm	Code	Carronite	Code
<b>Quantum Duo</b>	<b>£240</b>	<b>02159</b>	<b>£452</b>	<b>02160</b>
L-Shaped Panel (1700x700x515)	-	-	£288	02299
Front Panel (1700x515)	£101	02320	£146	02321
End Panel (700x515)	£80	02285	£106	02271
Screen CFS-1 (H=1400mm)	£167	02344	£167	02344
Screen CFS-2 (H=1500mm)	£188	02346	£188	02346



**FEATURES:** **C** Carronite **P** Panel  
**W** Whirlpool

**CAPACITY:** 165 Litres

**WHIRLPOOL:** Systems ① ④

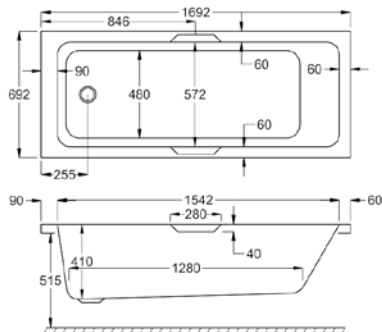
**KIT REF:** Standard - AK-01  
Carronite - AK-01-C

**SIZES:** 1700x700, 1700x750,  
1700x800, 1800x800,  
1900x900

# Quantum Integra

Length. **1700mm** | Width. **700mm** | Height. **515mm**

	5mm	Code	Carronite	Code
<b>Quantum Integra</b>	<b>£278</b>	<b>02169</b>	<b>£484</b>	<b>02170</b>
L-Shaped Panel (1700x700x515)	-	-	£288	02299
Front Panel (1700x515)	£101	02320	£146	02321
End Panel (700x515)	£80	02285	£106	02271
Screen CFS-1 (H=1400mm)	£167	02344	£167	02344
Screen CFS-2 (H=1500mm)	£188	02346	£188	02346



#### FEATURES:

- C Carronite   
 P Panel  
H Hand Grips   
 W Whirlpool

#### CAPACITY:

228 Litres

#### WHIRLPOOL:

Systems ① ④

#### KIT REF:

Standard - AK-01  
Carronite - AK-01-C

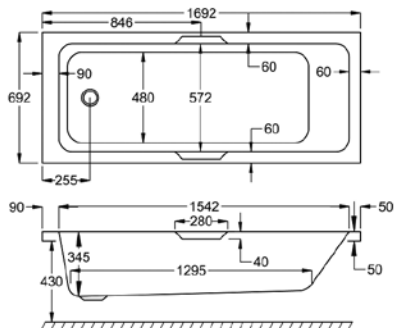
#### SIZES:

1500x700, 1600x700,  
1650x700, 1700x700,  
1700x750, 1700x800,  
1750x750, 1800x800

# Quantum Integra Eco 430

Length. **1700mm** | Width. **700mm** | Height. **430mm**

	5mm	Code	Carronite	Code
<b>Quantum Integra Eco 430</b>	<b>£278</b>	<b>02402</b>	<b>£484</b>	<b>02403</b>
L-Shaped Panel (1700x700x430)	-	-	£288	02501
Front Panel (1700x430)	£101	02256	£146	02257
End Panel (700x430)	£80	02258	£106	02259
Screen CFS-1 (H=1400mm)	£167	02344	£167	02344
Screen CFS-2 (H=1500mm)	£188	02346	£188	02346



**FEATURES:**

- C** Carronite
- P** Panel
- H** HandGrips
- A** Accessible
- S** Water Saver

**CAPACITY:**

174 Litres

**WHIRLPOOL:**

N/A

**KIT REF:**

Standard - AK-01  
Carronite - AK-01-C

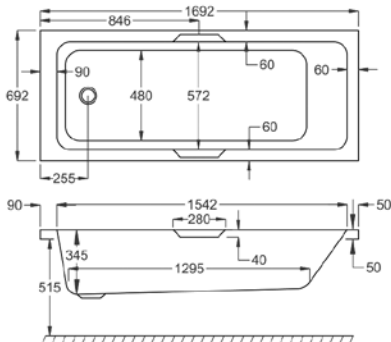
**SIZES:**

1500x700 (H=430),  
1600x700 (H=430),  
1700x700 (H=430)

# Quantum Integra Eco 515

Length. **1700mm** | Width. **700mm** | Height. **515mm**

	5mm	Code	Carronite	Code
<b>Quantum Integra Eco 515</b>	<b>£278</b>	<b>02402*</b>	<b>£484</b>	<b>02403*</b>
L-Shaped Panel (1700x700x515)	-	-	£288	02299
Front Panel (1700x515)	£101	02320	£146	02321
End Panel (700x515)	£80	02285	£106	02271
Screen CFS-1 (H=1400mm)	£167	02344	£167	02344
Screen CFS-2 (H=1500mm)	£188	02346	£188	02346



#### FEATURES:

- C** Carronite
- P** Panel
- H** Hand Grips
- S** Water Saver

#### CAPACITY:

174 Litres

#### WHIRLPOOL:

N/A

#### KIT REF:

Standard - AK-02  
Carronite - AK-02-C

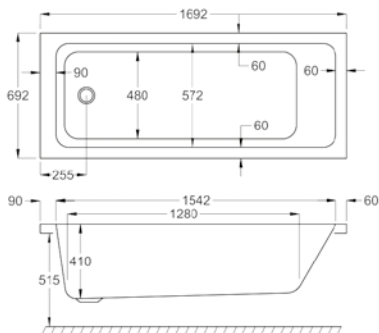
#### SIZES:

1500x700 (H=515),  
1600x700 (H=515),  
1700x700 (H=515)

# Quantum SE

Length. **1700mm** | Width. **700mm** | Height. **515mm**

	5mm	Code	Carronite	Code
<b>Quantum SE</b>	<b>£240</b>	<b>02151</b>	<b>£452</b>	<b>02152</b>
L-Shaped Panel (1700x700x515)	-	-	£288	02299
Front Panel (1700x515)	£101	02320	£146	02321
End Panel (700x515)	£80	02285	£106	02271
Screen CFS-1 (H=1400mm)	£167	02344	£167	02344
Screen CFS-2 (H=1500mm)	£188	02346	£188	02346



**FEATURES:** **C** Carronite **P** Panel  
**W** Whirlpool

**CAPACITY:** 228 Litres

**WHIRLPOOL:** Systems ① ④

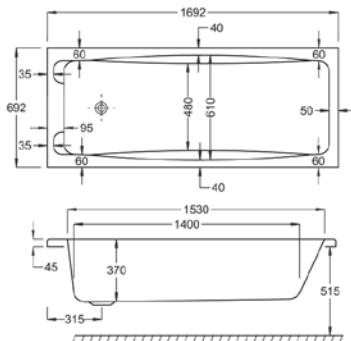
**KIT REF:** Standard - AK-01  
Carronite - AK-01-C

**SIZES:** 1500x700, 1600x700,  
1600x800, 1700x700,  
1700x750, 1700x800,  
1700x900, 1800x725,  
1800x800

# Swallow TG

Length. **1700mm** | Width. **700mm** | Height. **515mm**

	8mm	Code	5mm	Code	Carronite	Code
<b>Swallow TG</b>	<b>£294</b>	<b>02223</b>	<b>£215</b>	<b>02221</b>	<b>£459</b>	<b>02222</b>
L-Shaped Panel (1700x700x515)			-	-	£288	02299
Front Panel (1700x515)			£101	02320	£146	02321
End Panel (700x515)			£80	02285	£106	02271
Screen CFS-1 (H=1400mm)			£167	02344	£167	02344
Screen CFS-2 (H=1500mm)			£188	02346	£188	02346



**FEATURES:** **C** Carronite **P** Panel  
**H** HandGrips

**CAPACITY:** 182 Litres

**WHIRLPOOL:** N/A

**KIT REF:** Standard - AK-02  
Carronite - AK-02-C

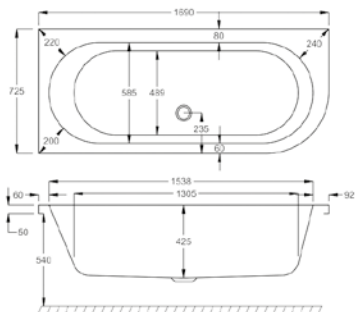
**SIZES:** 1700x700, 1800x700



# Status

Length. **1700mm** | Width. **725mm** | Height. **540mm**

	5mm	Code	Carronite	Code
<b>Status (LH)</b>	<b>£439</b>	<b>02213</b>	<b>£744</b>	<b>02214</b>
<b>Status (RH)</b>	<b>£439</b>	<b>02215</b>	<b>£744</b>	<b>02216</b>
Front Panel 725	£212	02336	£301	02337
Screen CFS-1 (H=1400mm)	£167	02344	£167	02344
Screen CFS-2 (H=1500mm)	£188	02346	£188	02346



**FEATURES:** **C** Carronite **P** Panel  
**W** Whirlpool

**CAPACITY:** 205 Litres

**WHIRLPOOL:** Systems ① ④

**KIT REF:** Standard - AK-01  
Carronite - AK-01-C

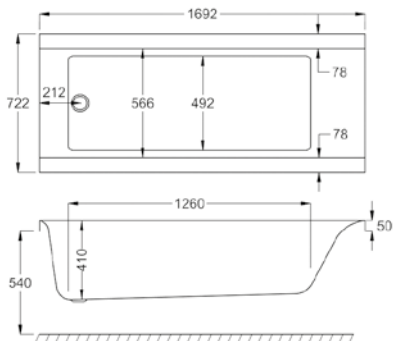
**SIZES:** 1600x725, 1700x725,  
1700x800

Available in right or left hand. Right hand shown.

# Urban

Length. **1700mm** | Width. **725mm** | Height. **540mm**

	5mm	Code	Carronite	Code
<b>Urban</b>	<b>£306</b>	<b>02363</b>	<b>£485</b>	<b>02364</b>
L-Shaped Panel (1700x725x540)	-	-	£288	02570
Front Panel (1700x540)	£113	02318	£153	02319
End Panel (725x540)	£80	02287	£106	02307
Screen CFS-1 (H=1400mm)	£167	02344	£167	02344
Screen CFS-2 (H=1500mm)	£188	02346	£188	02346



**FEATURES:** **C** Carronite **P** Panel  
**W** Whirlpool

**CAPACITY:** 224 Litres

**WHIRLPOOL:** Systems ① ② ③ ④ ⑤ ⑥

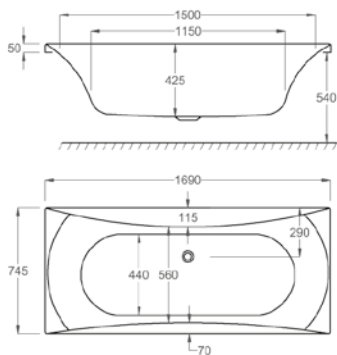
**KIT REF:** Standard - AK-01  
Carronite - AK-01-C

**SIZES:** 1700x725

# Alpha

Length. **1700mm** | Width. **750mm** | Height. **540mm**

	5mm	Code	Carronite	Code
<b>Alpha</b>	<b>£388</b>	<b>02007</b>	<b>£604</b>	<b>02008</b>
L-Shaped Panel (1700x750x540)	-	-	£288	02300
Front Panel (1700x540)	£113	02318	£153	02319
End Panel (750x540)	£80	02289	£106	02275



**FEATURES:** **C** Carronite **P** Panel  
**W** Whirlpool

**CAPACITY:** 175 Litres

**WHIRLPOOL:** Systems ① ② ③ ④ ⑤ ⑥

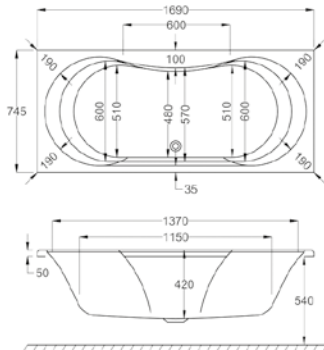
**KIT REF:** Standard - AK-01  
Carronite - AK-01-C

**SIZES:** 1700x700, 1700x750,  
1800x800

# Arc Duo

Length. **1700mm** | Width. **750mm** | Height. **540mm**

	5mm	Code	Carronite	Code
<b>Arc Duo</b>	<b>£292</b>	<b>02017</b>	<b>£500</b>	<b>02018</b>
L-Shaped Panel (1700x750x540)	-	-	£288	02300
Front Panel (1700x540)	£113	02318	£153	02319
End Panel (750x540)	£80	02289	£106	02275



**FEATURES:** **C** Carronite **P** Panel  
**W** Whirlpool

**CAPACITY:** 190 Litres

**WHIRLPOOL:** Systems ① ② ③ ④ ⑤ ⑥

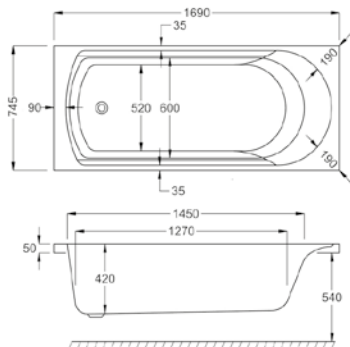
**KIT REF:** Standard - AK-01  
Carronite - AK-01-C

**SIZES:** 1700x750, 1800x800

# Arc SE

Length. **1700mm** | Width. **750mm** | Height. **540mm**

	5mm	Code	Carronite	Code
<b>Arc SE</b>	<b>£292</b>	<b>02015</b>	<b>£500</b>	<b>02016</b>
L-Shaped Panel (1700x750x540)	-	-	£288	02300
Front Panel (1700x540)	£113	02318	£153	02319
End Panel (750x540)	£80	02289	£106	02275
Screen CFS-1 (H=1400mm)	£167	02344	£167	02344
Screen CFS-2 (H=1500mm)	£188	02346	£188	02346
Grips CCG-2	£32	02356	£32	02356



**FEATURES:** **C** Carronite **P** Panel  
**H** Hand Grips **W** Whirlpool

**CAPACITY:** 195 Litres

**WHIRLPOOL:** Systems ① ② ③ ④ ⑤ ⑥

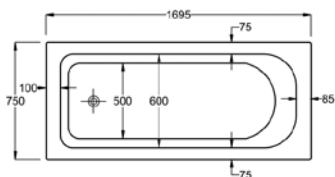
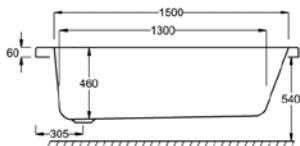
**KIT REF:** Standard - AK-01  
 Carronite - AK-01-C

**SIZES:** 1500x700, 1700x700,  
 1700x750

# Britannia

Length. **1700mm** | Width. **750mm** | Height. **540mm**

	5mm	Code	Carronite	Code
<b>Britannia</b>	<b>£450</b>	<b>02045</b>	<b>£705</b>	<b>02046</b>
L-Shaped Panel (1700x750x540)	-	-	£288	02300
Front Panel (1700x540)	£113	02318	£153	02319
End Panel (750x540)	£80	02289	£106	02275



**FEATURES:** **C** Carronite **P** Panel  
**W** Whirlpool

**CAPACITY:** 210 Litres

**WHIRLPOOL:** Systems ① ④

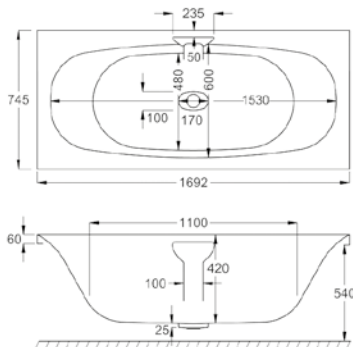
**KIT REF:** Standard - AK-01  
Carronite - AK-01-C

**SIZES:** 1700x700, 1700x750,  
1800x800

# Echelon (includes filler)

Length. **1700mm** | Width. **750mm** | Height. **540mm**

	5mm	Code	Carronite	Code
<b>Echelon</b> (includes filler)	<b>£705</b>	<b>02079</b>	<b>£983</b>	<b>02080</b>
L-Shaped Panel (1700x750x540)	-	-	£288	02300
Front Panel (1700x540)	£113	02318	£153	02319
End Panel (750x540)	£80	02289	£106	02275



**FEATURES:** **C** Carronite **P** Panel

**CAPACITY:** 209 Litres

**WHIRLPOOL:** N/A

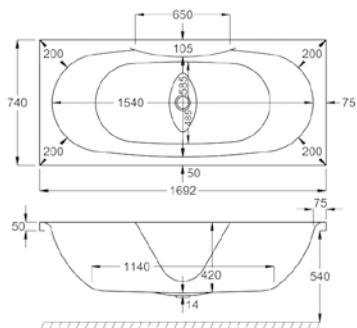
**KIT REF:** Standard - AK-01  
Carronite - AK-01-C

**SIZES:** 1700x750, 1800x800

# Equation

Length. **1700mm** | Width. **750mm** | Height. **540mm**

	5mm	Code	Carronite	Code
<b>Equation</b>	<b>£385</b>	<b>02090</b>	<b>£593</b>	<b>02091</b>
L-Shaped Panel (1700x750x540)	-	-	£288	02300
Front Panel (1700x540)	£113	02318	£153	02319
End Panel (750x540)	£80	02289	£106	02275



#### FEATURES:

**C** Carronite **P** Panel  
**W** Whirlpool

**CAPACITY:** 205 Litres

**WHIRLPOOL:** Systems ① ② ③ ④ ⑤ ⑥

**KIT REF:** Standard - AK-01  
Carronite - AK-01-C

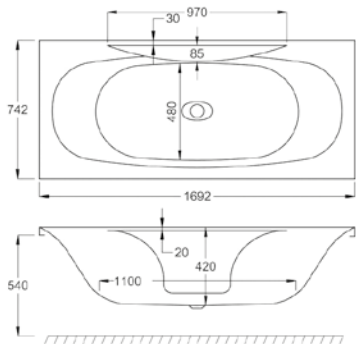
**SIZES:** 1700x750, 1800x800



# Equity

Length. **1700mm** | Width. **750mm** | Height. **540mm**

	5mm	Code	Carronite	Code
<b>Equity</b>	<b>£485</b>	<b>02359</b>	<b>£776</b>	<b>02360</b>
L-Shaped Panel (1700x750x540)	-	-	£288	02300
Front Panel (1700x540)	£113	02318	£153	02319
End Panel (750x540)	£80	02289	£106	02275



**FEATURES:** **C** Carronite **P** Panel  
**W** Whirlpool

**CAPACITY:** 204 Litres

**WHIRLPOOL:** Systems ① ② ③ ④ ⑤ ⑥

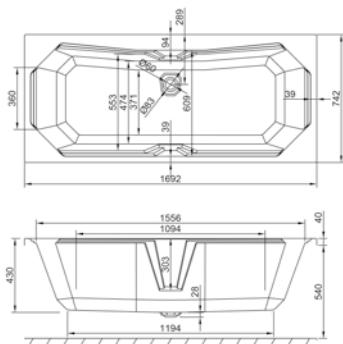
**KIT REF:** Standard - AK-01  
Carronite - AK-01-C

**SIZES:** 1700x750, 1800x800

# Highgate DE

Length. **1700mm** | Width. **750mm** | Height. **540mm**

	Carronite	Code
<b>Highgate DE</b>	<b>£874</b>	<b>02536</b>
Highgate L-Shaped Panel (1700x750x540)	£296	02545
Highgate Front Panel (1700x540)	£175	02543
Etched Screen Left Hand (LH)	£228	02583
Etched Screen Right Hand (RH)	£228	02584
Grips (single)	£44	02548



**FEATURES:** **C** Carronite **P** Panel  
**H** HandGrips

**CAPACITY:** 210 Litres

**WHIRLPOOL:** N/A

**KIT REF:** Carronite - AK-01-C

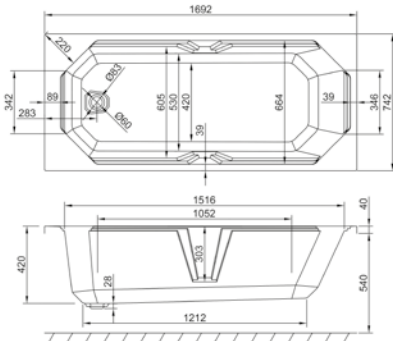
**SIZES:** 1700x750, 1800x800

\* Single grip option - fitted opposite overflow.

# Highgate SE

Length. **1700mm** | Width. **750mm** | Height. **540mm**

	<b>Carronite</b>	<b>Code</b>
<b>Highgate SE</b> (c/w pair grips)	<b>£874</b>	<b>02535</b>
L-Shaped Panel (1700x750x540)	£296	02545
Front Panel (1700x540)	£175	02543
Etched Screen Left Hand (LH)	£228	02583
Etched Screen Right Hand (RH)	£228	02584



**FEATURES:** **C** Carronite **P** Panel  
**H** HandGrips

**CAPACITY:** 216 Litres

**WHIRLPOOL:** N/A

**KIT REF:** Carronite - AK-01-C

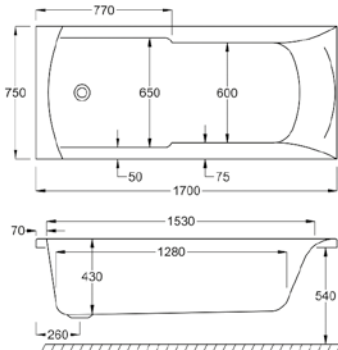
**SIZES:** 1700x750, 1800x800

\* SE bath comes pre-drilled with grips.  
Plain option is available as a special order.

# Index

Length. **1700mm** | Width. **750mm** | Height. **540mm**

Index	5mm £386	Code 02118	Carronite £611	Code 02119
L-Shaped Panel (1700x750x540)	-	-	£288	02300
Front Panel (1700x540)	£113	02318	£153	02319
End Panel (750x540)	£80	02289	£106	02275
Screen CFS-1 (H=1400mm)	£167	02344	£167	02344
Screen CFS-2 (H=1500mm)	£188	02346	£188	02346
Grips CCG-2	£32	02356	£32	02356



#### FEATURES:

- C Carronite   
 P Panel  
H HandGrips

#### CAPACITY:

195 Litres

#### WHIRLPOOL:

N/A

#### KIT REF:

Standard - AK-01  
Carronite - AK-01-C

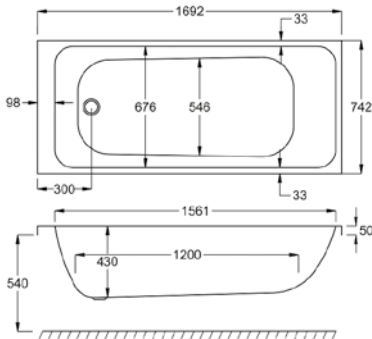
#### SIZES:

1700x750

# Profile SE

Length. **1700mm** | Width. **750mm** | Height. **540mm**

	5mm	Code	Carronite	Code
<b>Profile</b>	<b>£346</b>	<b>02424</b>	<b>£599</b>	<b>02425</b>
L-Shaped Panel (1700x750x540)	-	-	£288	02300
Front Panel (1700x540)	£113	02318	£153	02319
End Panel (750x540)	£80	02289	£106	02275
Screen CFS-1 (H=1400mm)	£167	02344	£167	02344
Screen CFS-2 (H=1500mm)	£188	02346	£188	02346



**FEATURES:** **C** Carronite **P** Panel

**CAPACITY:** 257 Litres

**WHIRLPOOL:** N/A

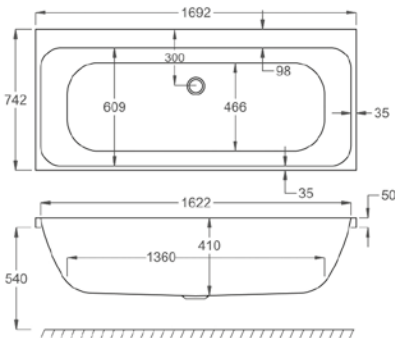
**KIT REF:** Standard - AK-01  
Carronite - AK-01-C

**SIZES:** 1500x700, 1600x700,  
1700x700, 1700x750,  
1750x750, 1800x700

## Profile Duo

Length. **1700mm** | Width. **750mm** | Height. **540mm**

	5mm	Code	Carronite	Code
<b>Profile Duo</b>	<b>£346</b>	<b>02195</b>	<b>£599</b>	<b>02196</b>
L-Shaped Panel (1700x750x540)	-	-	£288	02300
Front Panel (1700x540)	£113	02318	£153	02319
End Panel (750x540)	£80	02289	£106	02275
Screen CFS-1 (H=1400mm)	£167	02344	£167	02344
Screen CFS-2 (H=1500mm)	£188	02346	£188	02346



**FEATURES:** **C** Carronite **P** Panel

**CAPACITY:** 230 Litres

**WHIRLPOOL:** N/A

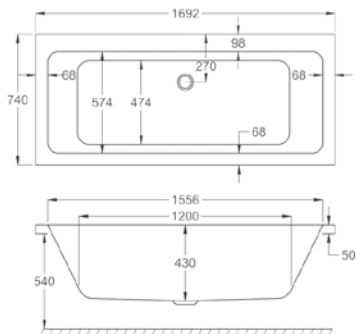
**KIT REF:** Standard - AK-01  
Carronite - AK-01-C

**SIZES:** 1600x700, 1600x800,  
1650x700, 1700x700,  
1700x750, 1750x750,  
1800x700

# Quantum Duo

Length. **1700mm** | Width. **750mm** | Height. **540mm**

	5mm	Code	Carronite	Code
<b>Quantum Duo</b>	<b>£298</b>	<b>02157</b>	<b>£513</b>	<b>02158</b>
L-Shaped Panel (1700x750x540)	-	-	£288	02300
Front Panel (1700x540)	£113	02318	£153	02319
End Panel (750x540)	£80	02289	£106	02275
Screen CFS-1 (H=1400mm)	£167	02344	£167	02344
Screen CFS-2 (H=1500mm)	£188	02346	£188	02346



**FEATURES:** **C** Carronite **P** Panel  
**W** Whirlpool

**CAPACITY:** 190 Litres

**WHIRLPOOL:** Systems ① ④

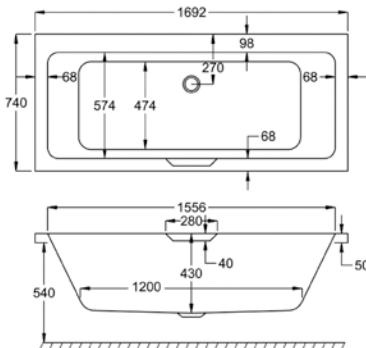
**KIT REF:** Standard - AK-01  
Carronite - AK-01-C

**SIZES:** 1700x700, 1700x750,  
1700x800, 1800x800,  
1900x900

# Quantum Integra Duo

Length. **1700mm** | Width. **750mm** | Height. **540mm**

	5mm	Code	Carronite	Code
<b>Quantum Integra Duo</b>	<b>£342</b>	<b>02463</b>	<b>£554</b>	<b>02464</b>
L-Shaped Panel (1700x750x540)	-	-	£288	02300
Front Panel (1700x540)	£113	02318	£153	02319
End Panel (750x540)	£80	02289	£106	02275
Screen CFS-1 (H=1400mm)	£167	02344	£167	02344
Screen CFS-2 (H=1500mm)	£188	02346	£188	02346



#### FEATURES:

- C** Carronite
- P** Panel
- H** HandGrips
- W** Whirlpool

**CAPACITY:** 190 Litres

**WHIRLPOOL:** Systems ① ④

**KIT REF:** Standard - AK-01  
Carronite - AK-01-C

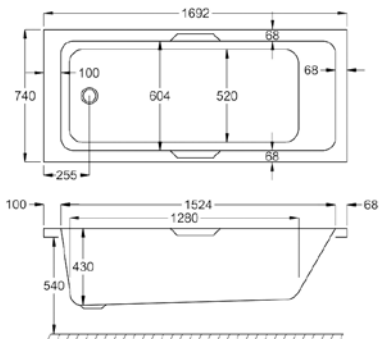
**SIZES:** 1700x750



# Quantum Integra

Length. **1700mm** | Width. **750mm** | Height. **540mm**

	5mm	Code	Carronite	Code
<b>Quantum Integra</b>	<b>£342</b>	<b>02171</b>	<b>£554</b>	<b>02172</b>
L-Shaped Panel (1700x750x540)	-	-	£288	02300
Front Panel (1700x540)	£113	02318	£153	02319
End Panel (750x540)	£80	02289	£106	02275
Screen CFS-1 (H=1400mm)	£167	02344	£167	02344
Screen CFS-2 (H=1500mm)	£188	02346	£188	02346



**FEATURES:** **C** Carronite **P** Panel  
**H** Hand Grips **W** Whirlpool

**CAPACITY:** 240 Litres

**WHIRLPOOL:** Systems ① ② ③ ④ ⑤ ⑥

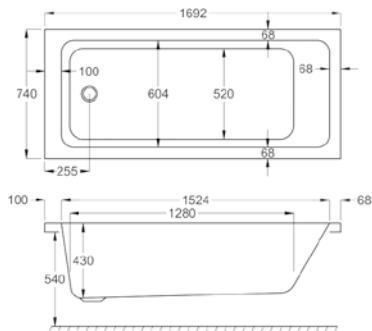
**KIT REF:** Standard - AK-01  
Carronite - AK-01-C

**SIZES:** 1500x700, 1600x700,  
1650x700, 1700x700,  
1700x750, 1700x800,  
1750x750, 1800x800

# Quantum SE

Length. **1700mm** | Width. **750mm** | Height. **540mm**

	5mm	Code	Carronite	Code
<b>Quantum SE</b>	<b>£298</b>	<b>02147</b>	<b>£513</b>	<b>02148</b>
L-Shaped Panel (1700x750x540)	-	-	£288	02300
Front Panel (1700x540)	£113	02318	£153	02319
End Panel (750x540)	£80	02289	£106	02275
Screen CFS-1 (H=1400mm)	£167	02344	£167	02344
Screen CFS-2 (H=1500mm)	£188	02346	£188	02346



**FEATURES:** **C** Carronite **P** Panel  
**W** Whirlpool

**CAPACITY:** 240 Litres

**WHIRLPOOL:** Systems ① ② ③ ④ ⑤ ⑥

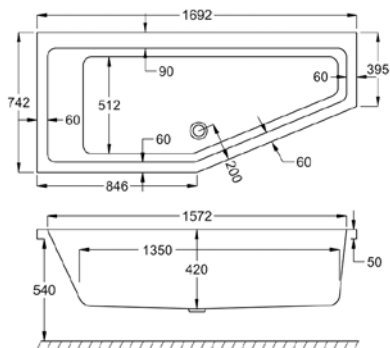
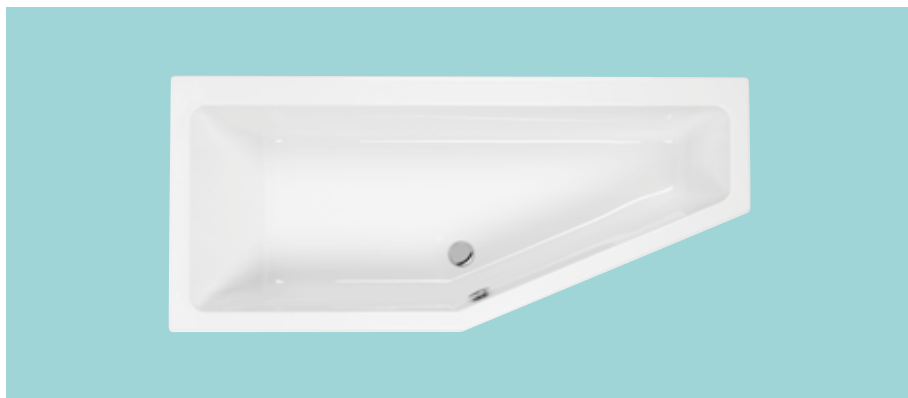
**KIT REF:** Standard - AK-01  
Carronite - AK-01-C

**SIZES:** 1500x700, 1600x700,  
1600x800, 1700x700,  
1700x750, 1700x800,  
1700x900, 1800x725,  
1800x800

# Quantum Spacesaver

Length. **1700mm** | Width. **750-400mm** | Height. **540mm**

	5mm	Code	Carronite	Code
<b>Quantum Spacesaver (LH)</b>	<b>£345</b>	<b>02179</b>	<b>£552</b>	<b>02177</b>
<b>Quantum Spacesaver (RH)</b>	<b>£345</b>	<b>02180</b>	<b>£552</b>	<b>02178</b>
Front Panel Space Saver	£157	02328	£301	02329
End Panel Space Saver	£72	02330	£100	02331
Screen QSS-2	£227	02347	£227	02347
Screen CFS-1 (H=1400mm)	£167	02344	£167	02344



**FEATURES:** **C** Carronite **P** Panel  
**W** Whirlpool

**CAPACITY:** 211 Litres

**WHIRLPOOL:** Systems ① ④

**KIT REF:** Standard - AK-10  
Carronite - AK-10-C

**SIZES:** 1700x750-400

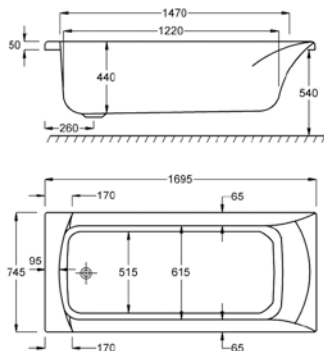
Left hand and right hand baths available.  
Right hand bath shown.

QSS Hinged Screen recommended.

# Sigma

Length. **1700mm** | Width. **750mm** | Height. **540mm**

	5mm	Code	Carronite	Code
<b>Sigma</b>	<b>£410</b>	<b>02189</b>	<b>£659</b>	<b>02190</b>
L-Shaped Panel (1700x750x540)	-	-	£288	02300
Front Panel (1700x540)	£113	02318	£153	02319
End Panel (750x540)	£80	02289	£106	02275
Screen CFS-1 (H=1400mm)	£167	02344	£167	02344
Screen CFS-2 (H=1500mm)	£188	02346	£188	02346
Grips CCG-1	£43	02357	£43	02357



#### FEATURES:

- C Carronite    P Panel  
H Hand Grips    W Whirlpool

#### CAPACITY:

195 Litres

#### WHIRLPOOL:

Systems ① ② ③ ④ ⑤ ⑥

#### KIT REF:

Standard - AK-01  
Carronite - AK-01-C

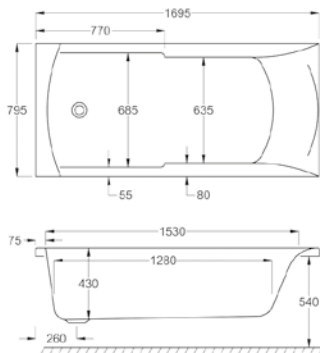
#### SIZES:

1600x750, 1700x750,  
1700x800, 1800x800,  
1900x900

# Apex

Length. **1700mm** | Width. **800mm** | Height. **540mm**

	5mm	Code	Carronite	Code
<b>Apex</b>	<b>£424</b>	<b>02011</b>	<b>£716</b>	<b>02012</b>
L-Shaped Panel (1700x800x540)	-	-	£288	02489
Front Panel (1700x540)	£113	02318	£153	02319
End Panel (800x540)	£80	02291	£106	02277
Screen CFS-1 (H=1400mm)	£167	02344	£167	02344
Screen CFS-2 (H=1500mm)	£188	02346	£188	02346
Grips CCG-2	£32	02356	£32	02356



**FEATURES:** **C** Carronite **P** Panel  
**H** Hand Grips

**CAPACITY:** 210 Litres

**WHIRLPOOL:** N/A

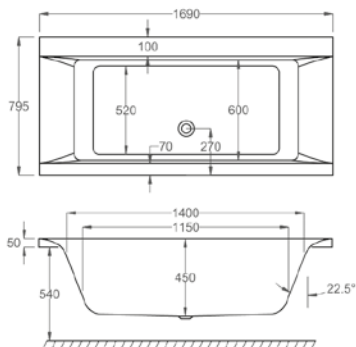
**KIT REF:** Standard - AK-03  
Carronite - AK-03-C

**SIZES:** 1700x800

# Haiku

Length. **1700mm** | Width. **800mm** | Height. **540mm**

	5mm	Code	Carronite	Code
<b>Haiku</b>	<b>£506</b>	<b>02094</b>	<b>£845</b>	<b>02095</b>
L-Shaped Panel (1700x800x540)	-	-	£288	02489
Haiku Front Panel (1700x540)	£114	02563	£154	02564
Haiku End Panel (800x540)	£80	02291	£106	02277



**FEATURES:** **C** Carronite **P** Panel  
**W** Whirlpool

**CAPACITY:** 220 Litres

**WHIRLPOOL:** Systems ① ② ③ ④ ⑤ ⑥

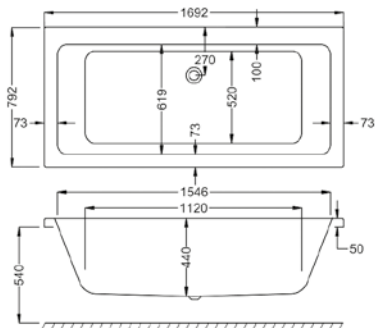
**KIT REF:** Standard - AK-03  
Carronite - AK-03-C

**SIZES:** 1700x800, 1800x800,  
1800x900

# Quantum Duo

Length. **1700mm** | Width. **800mm** | Height. **540mm**

	5mm	Code	Carronite	Code
<b>Quantum Duo</b>	<b>£332</b>	<b>02392</b>	<b>£534</b>	<b>02393</b>
L-Shaped Panel (1700x800x540)	-	-	£288	02489
Front Panel (1700x540)	£113	02318	£153	02319
End Panel (800x540)	£80	02291	£106	02277
Screen CFS-1 (H=1400mm)	£167	02344	£167	02344
Screen CFS-2 (H=1500mm)	£188	02346	£188	02346



**FEATURES:** **C** Carronite **P** Panel  
**W** Whirlpool

**CAPACITY:** 190 Litres

**WHIRLPOOL:** Systems ① ② ③ ④ ⑤ ⑥

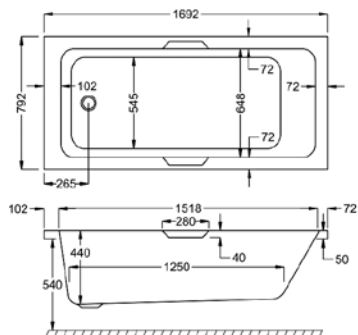
**KIT REF:** Standard - AK-03  
Carronite - AK-03-C

**SIZES:** 1700x700, 1700x750,  
1700x800, 1800x800,  
1900x900

# Quantum Integra

Length. **1700mm** | Width. **800mm** | Height. **540mm**

	5mm	Code	Carronite	Code
<b>Quantum Integra</b>	<b>£366</b>	<b>02394</b>	<b>£570</b>	<b>02395</b>
L-Shaped Panel (1700x800x540)	-	-	£288	02489
Front Panel (1700x540)	£113	02318	£153	02319
End Panel (800x540)	£80	02291	£106	02277
Screen CFS-1 (H=1400mm)	£167	02344	£167	02344
Screen CFS-2 (H=1500mm)	£188	02346	£188	02346



**FEATURES:** **C** Carronite **P** Panel  
**H** Hand Grips **W** Whirlpool

**CAPACITY:** 267 Litres

**WHIRLPOOL:** Systems ① ② ③ ④ ⑤ ⑥

**KIT REF:** Standard - AK-03  
Carronite - AK-03-C

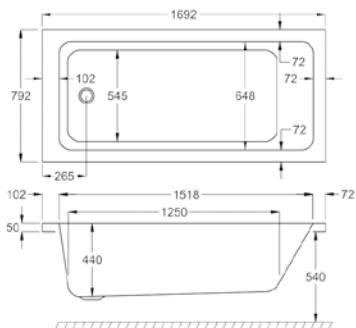
**SIZES:** 1500x700, 1600x700,  
1650x700, 1700x700,  
1700x750, 1700x800,  
1750x750, 1800x800



# Quantum SE

Length. **1700mm** | Width. **800mm** | Height. **540mm**

	5mm	Code	Carronite	Code
<b>Quantum SE</b>	<b>£332</b>	<b>02149</b>	<b>£534</b>	<b>02150</b>
L-Shaped Panel (1700x800x540)	-	-	£288	02489
Front Panel (1700x540)	£113	02318	£153	02319
End Panel (800x540)	£80	02291	£106	02277
Screen CFS-1 (H=1400mm)	£167	02344	£167	02344
Screen CFS-2 (H=1500mm)	£188	02346	£188	02346



**FEATURES:** **C** Carronite **P** Panel  
**W** Whirlpool

**CAPACITY:** 267 Litres

**WHIRLPOOL:** Systems ① ② ③ ④ ⑤ ⑥

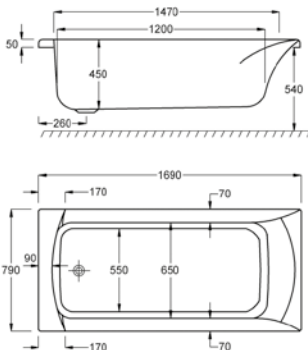
**KIT REF:** Standard - AK-03  
Carronite - AK-03-C

**SIZES:** 1500x700, 1600x700,  
1600x800, 1700x700,  
1700x750, 1700x800,  
1700x900, 1800x725,  
1800x800

# Sigma

Length. **1700mm** | Width. **800mm** | Height. **540mm**

	5mm	Code	Carronite	Code
<b>Sigma</b>	<b>£458</b>	<b>02193</b>	<b>£805</b>	<b>02194</b>
L-Shaped Panel (1700x800x540)	-	-	£288	02489
Front Panel (1700x540)	£113	02318	£153	02319
End Panel (800x540)	£80	02291	£106	02277
Screen CFS-1 (H=1400mm)	£167	02344	£167	02344
Screen CFS-2 (H=1500mm)	£188	02346	£188	02346
Grips CCG-1	£43	02357	£43	02357



#### FEATURES:

- C Carronite   P Panel  
H Hand Grips   W Whirlpool

#### CAPACITY:

220 Litres

#### WHIRLPOOL:

Systems ① ② ③ ④ ⑤ ⑥

#### KIT REF:

Standard - AK-03  
Carronite - AK-03-C

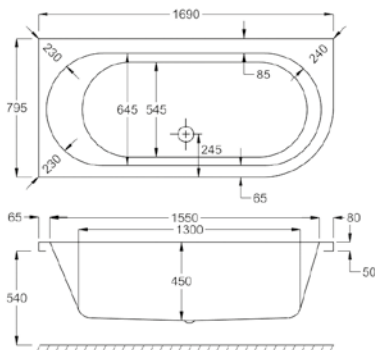
#### SIZES:

1600x750, 1700x750,  
1700x800, 1800x800,  
1900x900

# Status

Length. **1700mm** | Width. **800mm** | Height. **540mm**

	5mm	Code	Carronite	Code
<b>Status (LH)</b>	<b>£529</b>	<b>02217</b>	<b>£849</b>	<b>02218</b>
<b>Status (RH)</b>	<b>£529</b>	<b>02219</b>	<b>£849</b>	<b>02220</b>
Status Front Panel 17.80	£212	02338	£301	02339
Screen CFS-1 (H=1400mm)	£167	02344	£167	02344
Screen CFS-2 (H=1500mm)	£188	02346	£188	02346



**FEATURES:** **C** Carronite **P** Panel  
**W** Whirlpool

**CAPACITY:** 250 Litres

**WHIRLPOOL:** Systems ① ② ③ ④ ⑤ ⑥

**KIT REF:** Standard - AK-03  
Carronite - AK-03-C

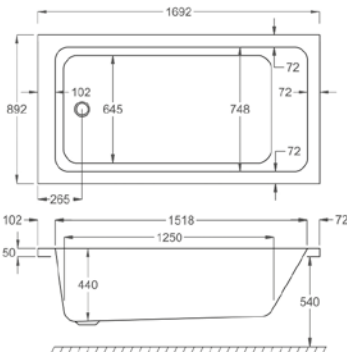
**SIZES:** 1600x725, 1700x725,  
1700x800

Left hand and right hand baths available.  
Right hand bath shown.

# Quantum SE

Length. **1700mm** | Width. **900mm** | Height. **540mm**

	5mm	Code	Carronite	Code
<b>Quantum SE</b>	<b>£444</b>	<b>02181</b>	<b>£682</b>	<b>02182</b>
Front Panel (1700x540)	£113	02318	£153	02319
End Panel (900x540)	£89	02293	£117	02278
Screen CFS-1 (H=1400mm)	£167	02344	£167	02344
Screen CFS-2 (H=1500mm)	£188	02346	£188	02346



#### FEATURES:

- Carronite     Panel  
 Whirlpool

#### CAPACITY:

318 Litres

#### WHIRLPOOL:

Systems ① ② ③ ④ ⑤ ⑥

#### KIT REF:

Standard - AK-03  
Carronite - AK-03-C

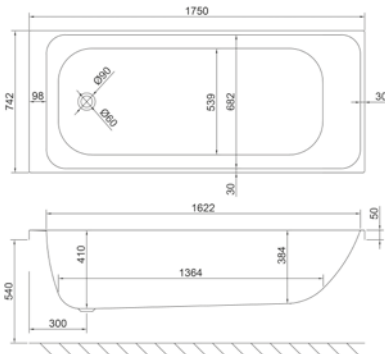
#### SIZES:

1500x700, 1600x700,  
1600x800, 1700x700,  
1700x750, 1700x800,  
1700x900, 1800x725,  
1800x800

# Profile SE

Length. **1750mm** | Width. **750mm** | Height. **540mm**

	5mm	Code	Carronite	Code
<b>Profile</b>	<b>£355</b>	<b>02591</b>	<b>£615</b>	<b>02592</b>
L-Shaped Panel (1750x750x540)	-	-	£288	02600
Front Panel (1750x540)	£113	02601	£153	02602
End Panel (750x540)	£80	02289	£106	02275
Screen CFS-1 (H=1400mm)	£167	02344	£167	02344
Screen CFS-2 (H=1500mm)	£188	02346	£188	02346



**FEATURES:**  Carronite  Panel

**CAPACITY:** 264 Litres

**WHIRLPOOL:** N/A

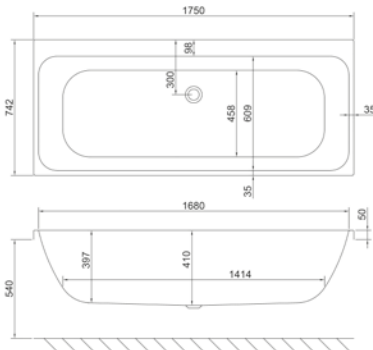
**KIT REF:** Standard - AK-01  
Carronite - AK-01-C

**SIZES:** 1500x700, 1600x700,  
1700x700, 1700x750,  
1750x750, 1800x700

## Profile Duo

Length. **1750mm** | Width. **750mm** | Height. **540mm**

	5mm	Code	Carronite	Code
<b>Profile Duo</b>	<b>£355</b>	<b>02593</b>	<b>£615</b>	<b>02594</b>
L-Shaped Panel (1750x750x540)	-	-	£288	02600
Front Panel (1750x540)	£113	02601	£153	02602
End Panel (750x540)	£80	02289	£106	02275
Screen CFS-1 (H=1400mm)	£167	02344	£167	02344
Screen CFS-2 (H=1500mm)	£188	02346	£188	02346



**FEATURES:**  Carronite  Panel

**CAPACITY:** 236 Litres

**WHIRLPOOL:** N/A

**KIT REF:** Standard - AK-01  
Carronite - AK-01-C

**SIZES:** 1600x700, 1600x800,  
1650x700, 1700x700,  
1700x750, 1750x750,  
1800x700



PROFILE DUO

## Raise your Profile

**Sleek design details make the Profile Duo an understated yet flexible option for many bathroom styles.**

A generous back ledge allows for bath mounted taps without

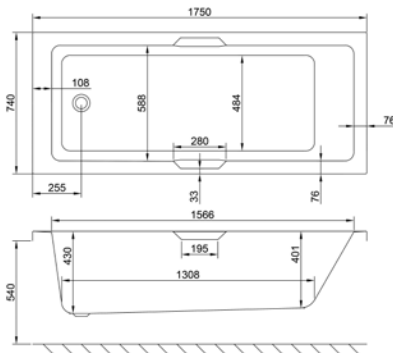
detracting from the minimalist style and clean edges of the Profile range.

Available in seven sizes, including the recently introduced 1600 x 800 and the 1750 x 750mm, there is a Profile Duo for a wide range of bathroom layouts and sizes.

# Quantum Integra

Length. **1750mm** | Width. **750mm** | Height. **540mm**

	5mm	Code	Carronite	Code
<b>Quantum Integra</b>	<b>£377</b>	<b>02595</b>	<b>£578</b>	<b>02596</b>
L-Shaped Panel (1750x750x540)	-	-	£288	02600
Front Panel (1750x540)	£113	02601	£153	02602
End Panel (750x540)	£80	02289	£106	02275
Screen CFS-1 (H=1400mm)	£167	02344	£167	02344
Screen CFS-2 (H=1500mm)	£188	02346	£188	02346



**FEATURES:** **C** Carronite **P** Panel  
**H** Hand Grips **W** Whirlpool

**CAPACITY:** 247 Litres

**WHIRLPOOL:** Systems ① ② ③ ④ ⑤ ⑥

**KIT REF:** Standard - AK-03  
Carronite - AK-03-C

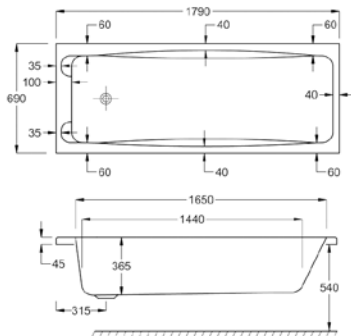
**SIZES:** 1500x700, 1600x700,  
1650x700, 1700x700,  
1700x750, 1700x800,  
1750x750, 1800x800



# Swallow TG

Length. **1800mm** | Width. **700mm** | Height. **540mm**

	5mm	Code	Carronite	Code
<b>Swallow TG</b>	<b>£432</b>	<b>02224</b>	<b>£669</b>	<b>02225</b>
L-Shaped Panel (1800x700x540)	-	-	£288	02311
Front Panel (1800x540)	£120	02322	£159	02323
End Panel (700x540)	£80	02286	£106	02272
Screen CFS-1 (H=1400mm)	£167	02344	£167	02344
Screen CFS-2 (H=1500mm)	£188	02346	£188	02346



**FEATURES:** **C** Carronite **P** Panel  
**H** HandGrips

**CAPACITY:** 185 Litres

**WHIRLPOOL:** N/A

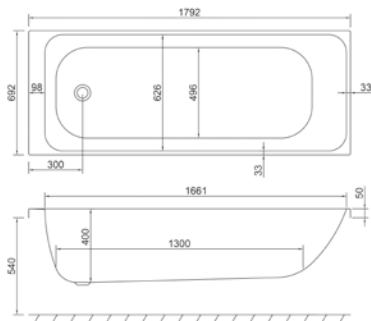
**KIT REF:** Standard - AK-02  
Carronite - AK-02-C

**SIZES:** 1700x700, 1800x700

## Profile SE

Length. **1800mm** | Width. **700mm** | Height. **540mm**

	5mm	Code	Carronite	Code
<b>Profile</b>	<b>£362</b>	<b>02571</b>	<b>£631</b>	<b>02572</b>
L-Shaped Panel (1800x700x540)	-	-	£288	02311
Front Panel (1800x540)	£120	02322	£159	02323
End Panel (700x540)	£80	02286	£106	02272
Screen CFS-1 (H=1400mm)	£167	02344	£167	02344
Screen CFS-2 (H=1500mm)	£188	02346	£188	02346



**FEATURES:** **C** Carronite **P** Panel

**CAPACITY:** 255 Litres

**WHIRLPOOL:** N/A

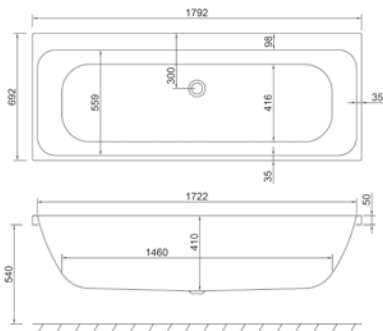
**KIT REF:** Standard – AK-01  
Carronite – AK-01-C

**SIZES:** 1500x700, 1600x700,  
1700x700, 1700x750,  
1750x750, 1800x700

# Profile Duo

Length. **1800mm** | Width. **700mm** | Height. **540mm**

	5mm	Code	Carronite	Code
<b>Profile Duo</b>	<b>£362</b>	<b>02573</b>	<b>£631</b>	<b>02574</b>
L-Shaped Panel (1800x700x540)	-	-	£288	02311
Front Panel (1800x540)	£120	02322	£159	02323
End Panel (700x540)	£80	02286	£106	02272
Screen CFS-1 (H=1400mm)	£167	02344	£167	02344
Screen CFS-2 (H=1500mm)	£188	02346	£188	02346



**FEATURES:** **C** Carronite **P** Panel

**CAPACITY:** 231 Litres

**WHIRLPOOL:** N/A

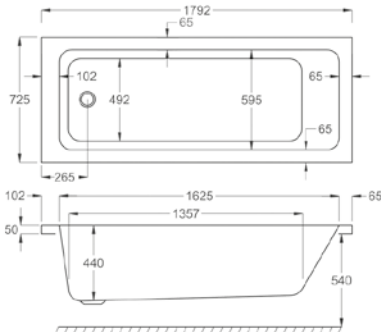
**KIT REF:** Standard - AK-01  
Carronite - AK-01-C

**SIZES:** 1600x700, 1600x800,  
1650x700, 1700x700,  
1700x750, 1750x750,  
1800x700

# Quantum SE

Length. **1800mm** | Width. **725mm** | Height. **540mm**

	5mm	Code	Carronite	Code
<b>Quantum SE</b>	<b>£323</b>	<b>02153</b>	<b>£530</b>	<b>02154</b>
Front Panel (1800x540)	£120	02322	£159	02323
End Panel (725x540)	£80	02287	£106	02308
Screen CFS-1 (H=1400mm)	£167	02344	£167	02344
Screen CFS-2 (H=1500mm)	£188	02346	£188	02346



#### FEATURES:

**C** Carronite **P** Panel  
**W** Whirlpool

**CAPACITY:** 266 Litres

**WHIRLPOOL:** Systems ① ② ③ ④ ⑤ ⑥

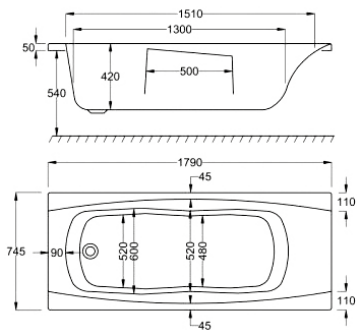
**KIT REF:** Standard - AK-01  
Carronite - AK-01-C

**SIZES:** 1500x700, 1600x700,  
1600x800, 1700x700,  
1700x750, 1700x800,  
1700x900, 1800x725,  
1800x800

# Imperial TG

Length. **1800mm** | Width. **750mm** | Height. **540mm**

	5mm	Code	Carronite	Code
<b>Imperial TG</b>	<b>£482</b>	<b>02116</b>	<b>£753</b>	<b>02117</b>
Front Panel (1800x540)	£120	02322	£159	02323
End Panel (750x540)	£80	02289	£106	02275
Screen CFS-1 (H=1400mm)	£167	02344	£167	02344
Screen CFS-2 (H=1500mm)	£188	02346	£188	02346



**FEATURES:** **C** Carronite **P** Panel  
**H** Hand Grips **W** Whirlpool

**CAPACITY:** 210 Litres

**WHIRLPOOL:** Systems ① ② ③ ④ ⑤ ⑥

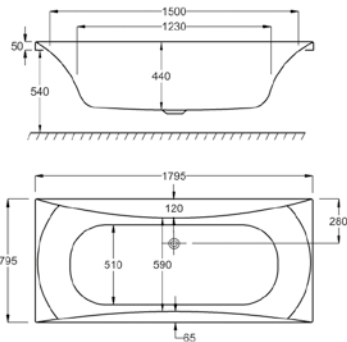
**KIT REF:** Standard - AK-01  
Carronite - AK-01-C

**SIZES:** 1400x700, 1500x700,  
1600x700, 1675x700,  
1700x700, 1800x750

# Alpha

Length. **1800mm** | Width. **800mm** | Height. **540mm**

	5mm	Code	Carronite	Code
<b>Alpha</b>	<b>£517</b>	<b>02009</b>	<b>£807</b>	<b>02010</b>
L-Shaped Panel (1800x800x540)	-	-	£288	02301
Front Panel (1800x540)	£120	02322	£159	02323
End Panel (800x540)	£80	02291	£106	02277



**FEATURES:** **C** Carronite **P** Panel  
**W** Whirlpool

**CAPACITY:** 220 Litres

**WHIRLPOOL:** Systems ① ② ③ ④ ⑤ ⑥

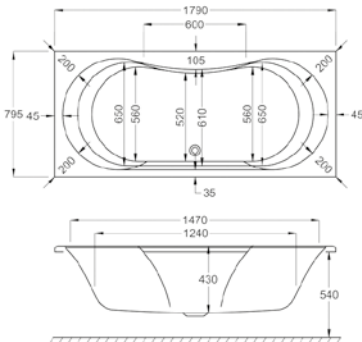
**KIT REF:** Standard - AK-03  
Carronite - AK-03-C

**SIZES:** 1700x700, 1700x750,  
1800x800

# Arc Duo

Length. **1800mm** | Width. **800mm** | Height. **540mm**

	5mm	Code	Carronite	Code
<b>Arc Duo</b>	<b>£352</b>	<b>02019</b>	<b>£552</b>	<b>02020</b>
L-Shaped Panel (1800x800x540)	-	-	£288	02301
Front Panel (1800x540)	£120	02322	£159	02323
End Panel (800x540)	£80	02291	£106	02277



**FEATURES:** **C** Carronite **P** Panel  
**W** Whirlpool

**CAPACITY:** 210 Litres

**WHIRLPOOL:** Systems ① ② ③ ④ ⑤ ⑥

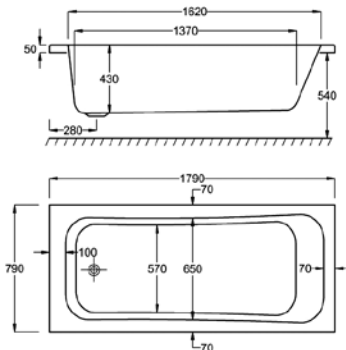
**KIT REF:** Standard - AK-03  
Carronite - AK-03-C

**SIZES:** 1700x750, 1800x800

# Britannia

Length. **1800mm** | Width. **800mm** | Height. **540mm**

	5mm	Code	Carronite	Code
<b>Britannia</b>	<b>£509</b>	<b>02465</b>	<b>£819</b>	<b>02466</b>
L-Shaped Panel (1800x800x540)	-	-	£288	02301
Front Panel (1800x540)	£120	02322	£159	02323
End Panel (800x540)	£80	02291	£106	02277



**FEATURES:** **C** Carronite **P** Panel  
**W** Whirlpool

**CAPACITY:** 245 Litres

**WHIRLPOOL:** Systems ① ④

**KIT REF:** Standard - AK-03  
Carronite - AK-03-C

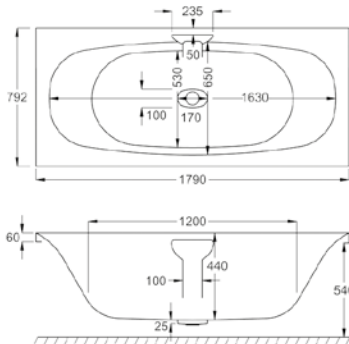
**SIZES:** 1700x700, 1700x750,  
1800x800



# Echelon (includes filler)

Length. **1800mm** | Width. **800mm** | Height. **540mm**

	5mm	Code	Carronite	Code
<b>Echelon</b> (inc filler)	<b>£816</b>	<b>02081</b>	<b>£1,165</b>	<b>02082</b>
L-Shaped Panel (1800x800x540)	-	-	£288	02301
Front Panel (1800x540)	£120	02322	£159	02323
End Panel (800x540)	£80	02291	£106	02277



**FEATURES:** **C** Carronite **P** Panel

**CAPACITY:** 230 Litres

**WHIRLPOOL:** N/A

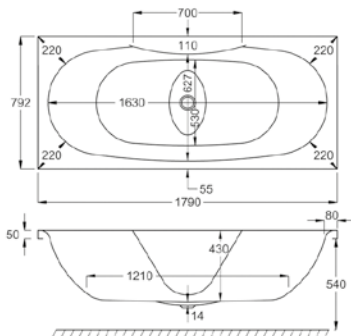
**KIT REF:** Standard - AK-03  
Carronite - AK-03-C

**SIZES:** 1700x750, 1800x800

# Equation

Length. **1800mm** | Width. **800mm** | Height. **540mm**

	5mm	Code	Carronite	Code
<b>Equation</b>	<b>£486</b>	<b>02092</b>	<b>£784</b>	<b>02093</b>
L-Shaped Panel (1800x800x540)	-	-	£288	02301
Front Panel (1800x540)	£120	02322	£159	02323
End Panel (800x540)	£80	02291	£106	02277



**FEATURES:** **C** Carronite **P** Panel  
**W** Whirlpool

**CAPACITY:** 233 Litres

**WHIRLPOOL:** Systems ① ② ③ ④ ⑤ ⑥

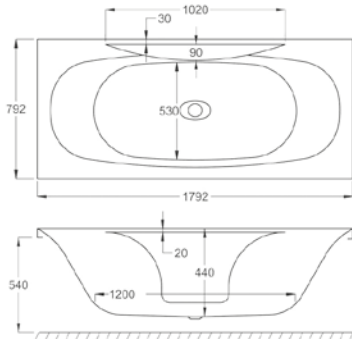
**KIT REF:** Standard - AK-03  
Carronite - AK-03-C

**SIZES:** 1700x750, 1800x800

# Equity

Length. **1800mm** | Width. **800mm** | Height. **540mm**

	5mm	Code	Carronite	Code
<b>Equity</b>	<b>£605</b>	<b>02361</b>	<b>£969</b>	<b>02362</b>
L-Shaped Panel (1800x800x540)	-	-	£288	02301
Front Panel (1800x540)	£120	02322	£159	02323
End Panel (800x540)	£80	02291	£106	02277



**FEATURES:** **C** Carronite **P** Panel  
**W** Whirlpool

**CAPACITY:** 225 Litres

**WHIRLPOOL:** Systems ① ② ③ ④ ⑤ ⑥

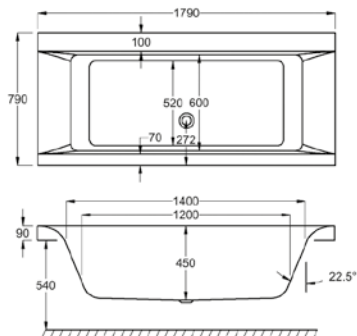
**KIT REF:** Standard - AK-03  
Carronite - AK-03-C

**SIZES:** 1700x750, 1800x800

# Haiku

Length. **1800mm** | Width. **800mm** | Height. **540mm**

	5mm	Code	Carronite	Code
<b>Haiku</b>	<b>£640</b>	<b>02096</b>	<b>£1,055</b>	<b>02097</b>
L-Shaped Panel (1800x800x540)	-	-	£288	02301
Front Panel (1800x540)	£121	02565	£159	02566
End Panel (800x540)	£80	02291	£106	02277


**FEATURES:**

C Carronite
 P Panel  
W Whirlpool

**CAPACITY:** 230 Litres

**WHIRLPOOL:** Systems ① ② ③ ④ ⑤ ⑥

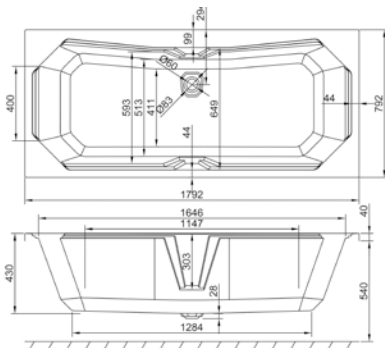
**KIT REF:** Standard - AK-03  
Carronite - AK-03-C

**SIZES:** 1700x800, 1800x800,  
1800x900

# Highgate DE

Length. **1800mm** | Width. **800mm** | Height. **540mm**

	<b>Carronite</b>	<b>Code</b>
<b>Highgate DE</b>	<b>£1,149</b>	<b>02537</b>
Highgate L-Shaped Panel (1800x800x540)	£296	02546
Highgate Front Panel (1800x540)	£189	02544
Etched Screen Left Hand (LH)	£228	02583
Etched Screen Right Hand (RH)	£228	02584
Grips (single)	£44	02548



**FEATURES:** **C** Carronite **P** Panel  
**H** HandGrips

**CAPACITY:** 264 Litres

**WHIRLPOOL:** N/A

**KIT REF:** Carronite - AK-03-C

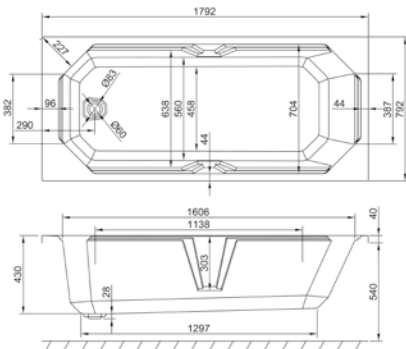
**SIZES:** 1700x750, 1800x800

\* Single grip option - fitted opposite overflow.

# Highgate SE

Length. **1800mm** | Width. **800mm** | Height. **540mm**

	5mm	Code	Carronite	Code
<b>Highgate SE</b> (c/w pair grips)			<b>£1,149</b>	<b>02580</b>
Highgate L-Shaped Panel (1800x800x540)			£296	02546
Highgate Front Panel (1800x540)			£189	02544
Etched Screen Left Hand (LH)			£228	02583
Etched Screen Right Hand (RH)			£228	02584



**FEATURES:** **C** Carronite **P** Panel  
**H** HandGrips

**CAPACITY:** 268 Litres

**WHIRLPOOL:** N/A

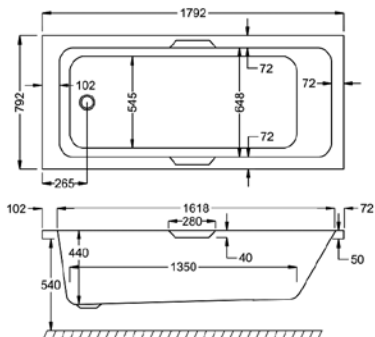
**KIT REF:** Carronite - AK-03-C

**SIZES:** 1700x750, 1800x800

# Quantum Integra

Length. **1800mm** | Width. **800mm** | Height. **540mm**

	5mm	Code	Carronite	Code
<b>Quantum Integra</b>	<b>£388</b>	<b>02396</b>	<b>£598</b>	<b>02397</b>
L-Shaped Panel (1800x800x540)	-	-	£288	02301
Front Panel (1800x540)	£120	02322	£159	02323
End Panel (800x540)	£80	02291	£106	02277
Screen CFS-1 (H=1400mm)	£167	02344	£167	02344
Screen CFS-2 (H=1500mm)	£188	02346	£188	02346



**FEATURES:** **C** Carronite **P** Panel  
**H** Hand Grips **W** Whirlpool

**CAPACITY:** 285 Litres

**WHIRLPOOL:** Systems ① ② ③ ④ ⑤ ⑥

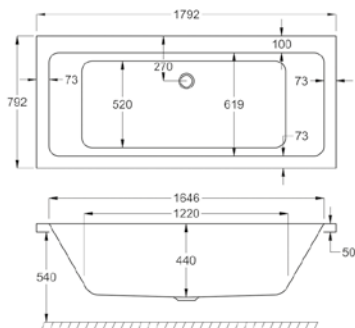
**KIT REF:** Standard - AK-03  
Carronite - AK-03-C

**SIZES:** 1500x700, 1600x700,  
1650x700, 1700x700,  
1700x750, 1700x800,  
1750x750, 1800x800

# Quantum Duo

Length. **1800mm** | Width. **800mm** | Height. **540mm**

	5mm	Code	Carronite	Code
<b>Quantum Duo</b>	<b>£360</b>	<b>02161</b>	<b>£576</b>	<b>02162</b>
L-Shaped Panel (1800x800x540)	-	-	£288	02301
Front Panel (1800x540)	£120	02322	£159	02323
End Panel (800x540)	£80	02291	£106	02277
Screen CFS-1 (H=1400mm)	£167	02344	£167	02344
Screen CFS-2 (H=1500mm)	£188	02346	£188	02346



#### FEATURES:

**C** Carronite **P** Panel  
**W** Whirlpool

**CAPACITY:** 230 Litres

**WHIRLPOOL:** Systems ① ② ③ ④ ⑤ ⑥

**KIT REF:** Standard - AK-03  
Carronite - AK-03-C

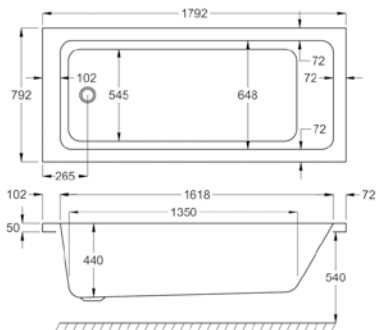
**SIZES:** 1700x700, 1700x750,  
1700x800, 1800x800,  
1900x900



# Quantum SE

Length. **1800mm** | Width. **800mm** | Height. **540mm**

	5mm	Code	Carronite	Code
<b>Quantum SE</b>	<b>£360</b>	<b>02155</b>	<b>£576</b>	<b>02156</b>
L-Shaped Panel (1800x800x540)	-	-	£288	02301
Front Panel (1800x540)	£120	02322	£159	02323
End Panel (800x540)	£80	02291	£106	02277
Screen CFS-1 (H=1400mm)	£167	02344	£167	02344
Screen CFS-2 (H=1500mm)	£188	02346	£188	02346



**FEATURES:** **C** Carronite **P** Panel  
**W** Whirlpool

**CAPACITY:** 285 Litres

**WHIRLPOOL:** Systems ① ② ③ ④ ⑤ ⑥

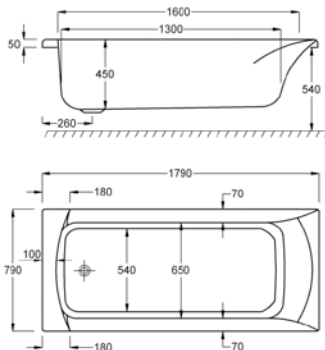
**KIT REF:** Standard - AK-03  
Carronite - AK-03-C

**SIZES:** 1500x700, 1600x700,  
1600x800, 1700x700,  
1700x750, 1700x800,  
1700x900, 1800x725,  
1800x800

# Sigma

Length. **1800mm** | Width. **800mm** | Height. **540mm**

	5mm	Code	Carronite	Code
<b>Sigma</b>	<b>£542</b>	<b>02197</b>	<b>£1,008</b>	<b>02198</b>
L-Shaped Panel (1800x800x540)	-	-	£288	02301
Front Panel (1800x540)	£120	02322	£159	02323
End Panel (800x540)	£80	02291	£106	02277
Screen CFS-1 (H=1400mm)	£167	02344	£167	02344
Screen CFS-2 (H=1500mm)	£188	02346	£188	02346
Grips CCG-1	£43	02357	£43	02357



#### FEATURES:

- C Carronite   P Panel  
H Hand Grips   W Whirlpool

#### CAPACITY:

240 Litres

#### WHIRLPOOL:

Systems ① ② ③ ④ ⑤ ⑥

#### KIT REF:

Standard - AK-03  
 Carronite - AK-03-C

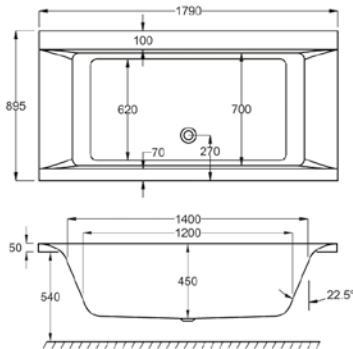
#### SIZES:

1600x750, 1700x750,  
 1700x800, 1800x800,  
 1900x900

# Haiku

Length. **1800mm** | Width. **900mm** | Height. **540mm**

	5mm	Code	Carronite	Code
<b>Haiku</b>	<b>£751</b>	<b>02098</b>	<b>£1,167</b>	<b>02099</b>
Haiku Front Panel (1800x540)	£121	02565	£159	02566
Haiku End Panel (900x540)	£89	02293	£117	02278



**FEATURES:** **C** Carronite **P** Panel  
**W** Whirlpool

**CAPACITY:** 290 Litres

**WHIRLPOOL:** Systems ① ② ③ ④ ⑤ ⑥

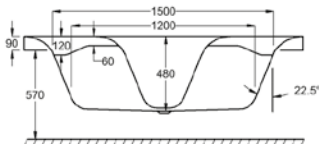
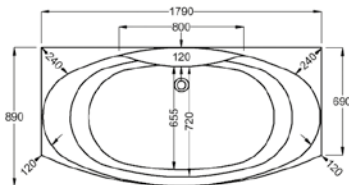
**KIT REF:** Standard - AK-03  
Carronite - AK-03-C

**SIZES:** 1700x800, 1800x800,  
1800x900

# Mistral

Length. **1800mm** | Width. **700-900mm** | Height. **570mm**

	5mm	Code	Carronite	Code
<b>Mistral</b>	<b>£716</b>	<b>02128</b>	<b>£1,145</b>	<b>02129</b>
Mistral Front Panel	£181	02302	-	-
Mistral End Panel	£94	02303	-	-



**FEATURES:** **C** Carronite **P** Panel  
**W** Whirlpool

**CAPACITY:** 330 Litres

**WHIRLPOOL:** Systems ① ② ③ ④ ⑤ ⑥

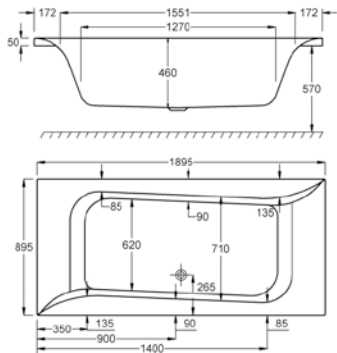
**KIT REF:** Standard - AK-03  
Carronite - AK-03-C

**SIZES:** 1800x700-900

# Linea

Length. **1900mm** | Width. **900mm** | Height. **570mm**

	5mm	Code	Carronite	Code
<b>Linea</b>	<b>£823</b>	<b>02120</b>	<b>£1,328</b>	<b>02121</b>
Front Panel (1900x570)	£120	02284	£159	02270
End Panel (900x570)	£89	02294	£117	02279



**FEATURES:** **C** Carronite **P** Panel  
**W** Whirlpool

**CAPACITY:** 345 Litres

**WHIRLPOOL:** Systems ① ② ③ ④ ⑤ ⑥

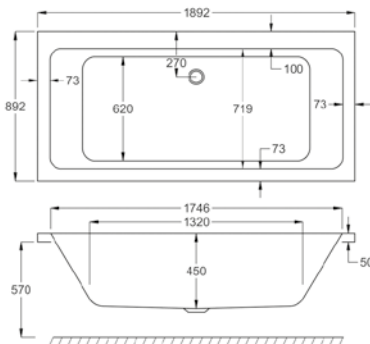
**KIT REF:** Standard - AK-03  
Carronite - AK-03-C

**SIZES:** 1900x900

# Quantum Duo

Length. **1900mm** | Width. **900mm** | Height. **570mm**

	5mm	Code	Carronite	Code
<b>Quantum Duo</b>	<b>£566</b>	<b>02163</b>	<b>£899</b>	<b>02164</b>
Front Panel (1900x570)	£120	02284	£159	02270
End Panel (900x570)	£89	02294	£117	02279



**FEATURES:** **C** Carronite **P** Panel  
**W** Whirlpool

**CAPACITY:** 350 Litres

**WHIRLPOOL:** Systems ① ② ③ ④ ⑤ ⑥

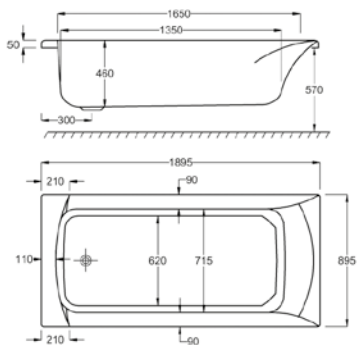
**KIT REF:** Standard - AK-03  
Carronite - AK-03-C

**SIZES:** 1700x700, 1700x750,  
1700x800, 1800x800,  
1900x900

# Sigma

Length. **1900mm** | Width. **900mm** | Height. **570mm**

	5mm	Code	Carronite	Code
<b>Sigma</b>	<b>£800</b>	<b>02201</b>	<b>£1,289</b>	<b>02202</b>
Front Panel (1900x570)	£120	02284	£159	02270
End Panel (900x570)	£89	02294	£117	02279
Screen CFS-1 (H=1400mm)	£167	02344	£167	02344
Screen CFS-2 (H=1500mm)	£188	02346	£188	02346
Grips CCG-1	£43	02357	£43	02357



**FEATURES:** **C** Carronite **P** Panel  
**H** Hand Grips **W** Whirlpool

**CAPACITY:** 350 Litres

**WHIRLPOOL:** Systems ① ② ③ ④ ⑤ ⑥

**KIT REF:** Standard - AK-03  
Carronite - AK-03-C

**SIZES:** 1600x750, 1700x750,  
1700x800, 1800x800,  
1900x900

---

# Showerbaths

---

---

With more space for showering whilst retaining the option of a luxury bath, our range of showerbaths all come with matching shower screens and panels.

---

## **Carronite™** **Ideal for showering**

---

The strength and stability offered by our Carronite™ finish makes it an ideal option for the showerbath of your choice.

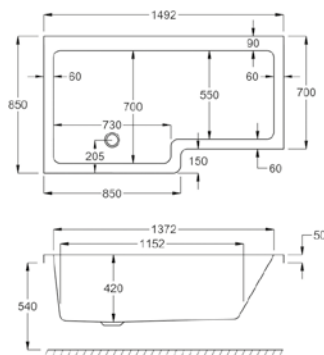
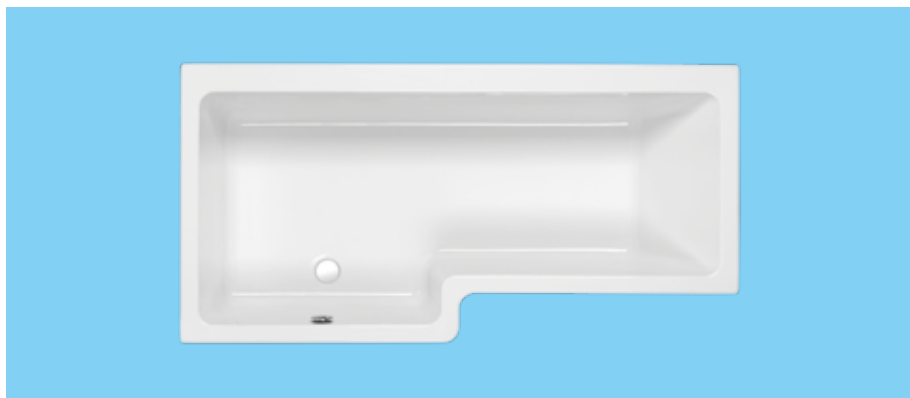




# Quantum

Length. **1500mm** | Width. **700-850mm** | Height. **540mm**

	5mm	Code	Carronite	Code
<b>Quantum Showerbath 1500 (LH)</b>	<b>£383</b>	<b>02173</b>	<b>£582</b>	<b>02174</b>
<b>Quantum Showerbath 1500 (RH)</b>	<b>£383</b>	<b>02175</b>	<b>£582</b>	<b>02176</b>
Quantum SB 1500 Front Panel	£150	02324	£326	02325
SB End Panel	£94	02312	£128	02313
Screen QSS-2	£227	02347	£227	02347
Set (bath, screen, front panel)	£760	-	£1,135	-



**FEATURES:** **C** Carronite **P** Panel

**CAPACITY:** 229 Litres

**WHIRLPOOL:** N/A

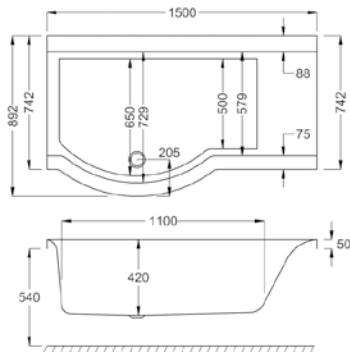
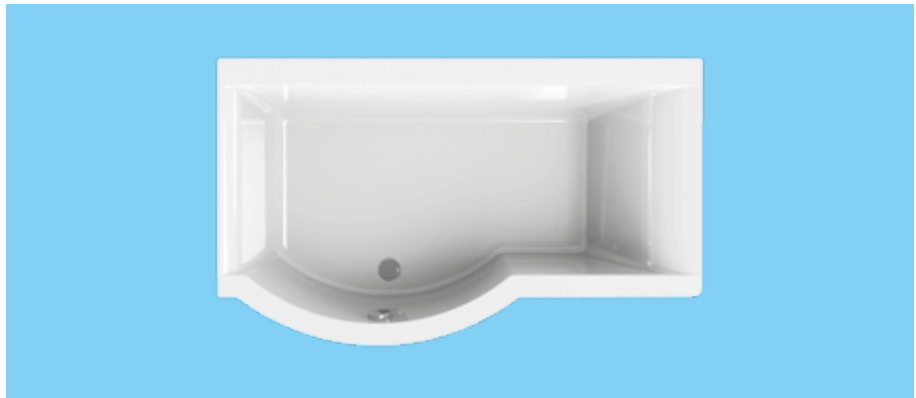
**KIT REF:** Standard - AK-05  
Carronite - AK-05-C

**SIZES:** 1500x700-850,  
1600x700-850,  
1700x700-850

# Urban Compact

Length. **1500mm** | Width. **750-900mm** | Height. **540mm**

	5mm	Code	Carronite	Code
<b>Urban Compact (LH)</b>	<b>£552</b>	<b>02365</b>	<b>£919</b>	<b>02366</b>
<b>Urban Compact (RH)</b>	<b>£552</b>	<b>02367</b>	<b>£919</b>	<b>02368</b>
L-Shaped Showerbath Panel	-	-	£433	02505
Urban SB 1500 Front Panel	£198	02373	£317	02374
Screen CSS-4	£213	02380	£213	02380
Screen Wrap Round	£654	02379	£654	02379
Set 1 (Bath, Screen, Front Panel)	£963	-	£1,449	-
Set 2 (Bath, Wrap Round Screen, Front Panel)	£1,404	-	£1,890	-



**FEATURES:** **C** Carronite **P** Panel  
**W** Whirlpool

**CAPACITY:** 228 Litres

**WHIRLPOOL:** Systems ① ② ③ ④ ⑤ ⑥

**KIT REF:** Standard - AK-05  
Carronite - AK-05-C

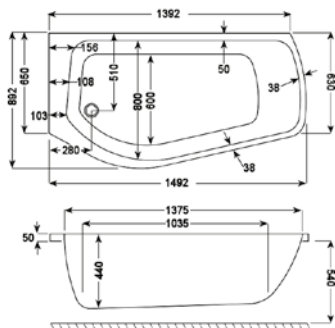
**SIZES:** 1500x750-900

Left hand and right hand baths available.  
Left hand bath shown.

# Profile Showerbath

Length. **1500mm** | Width. **900mm** | Height. **540mm**

	5mm	Code	Carronite	Code
<b>Profile Showerbath (LH)</b>	<b>£570</b>	<b>02467</b>	<b>£896</b>	<b>02469</b>
<b>Profile Showerbath (RH)</b>	<b>£570</b>	<b>02468</b>	<b>£896</b>	<b>02470</b>
Profile SB Front Panel (LH)	£216	02512	-	-
Profile SB Front Panel (RH)	£216	02513	-	-
Screen CSS-4	£213	02380	£213	02380
Set (Bath, Screen, Front Panel)	£999	-	£1,325	-



**FEATURES:** **C** Carronite **P** Panel

**CAPACITY:** 241 Litres

**WHIRLPOOL:** N/A

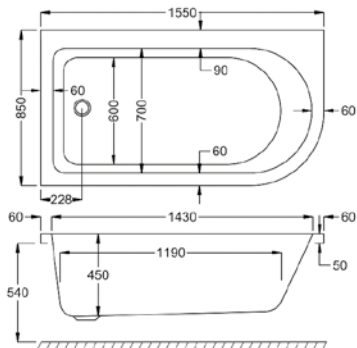
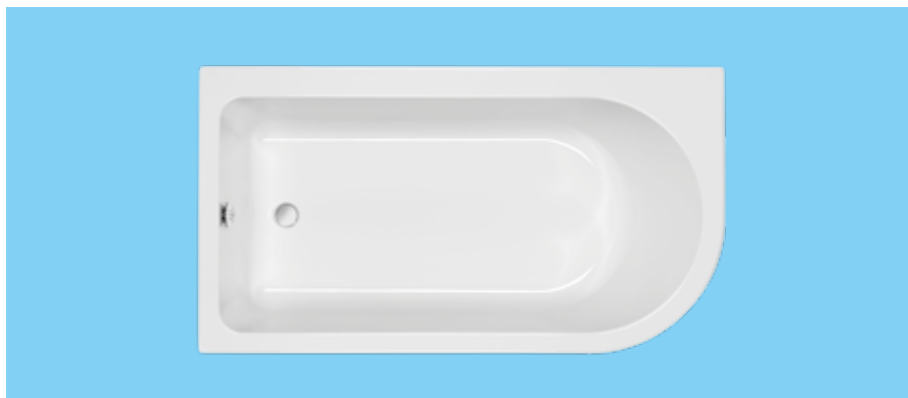
**KIT REF:** Standard - AK-04  
Carronite - AK-04-C

**SIZES:** 1500x900

# Status Showerbath

Length. **1550mm** | Width. **850mm** | Height. **540mm**

	5mm	Code	Carronite	Code
<b>Status Showerbath (LH)</b>	<b>£530</b>	<b>02398</b>	<b>£880</b>	<b>02399</b>
<b>Status Showerbath (RH)</b>	<b>£530</b>	<b>02400</b>	<b>£880</b>	<b>02401</b>
Status Showerbath Panel	£212	02404	£304	02405
Screen CFS-1 (H=1400mm)	£167	02344	£167	02344
Set (Bath, Screen, Front Panel)	£909	-	£1,351	-



**FEATURES:** **C** Carronite **P** Panel  
**W** Whirlpool

**CAPACITY:** 262 Litres

**WHIRLPOOL:** Systems ① ④

**KIT REF:** Standard - AK-03  
Carronite - AK-03-C

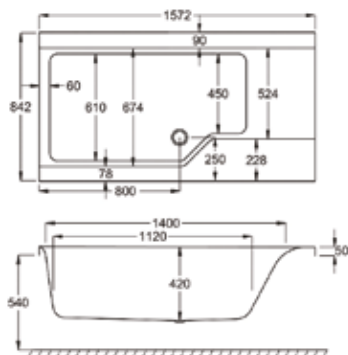
**SIZES:** 1550x850

Left hand and right hand baths available.  
Right hand bath shown.

# Urban Swing

Length. **1575mm** | Width. **850mm** | Height. **540mm**

	5mm	Code	Carronite	Code
<b>Urban Swing (LH)</b>	-	-	<b>£896</b>	<b>02432</b>
<b>Urban Swing (RH)</b>	-	-	<b>£896</b>	<b>02434</b>
Urban Swing L-Shaped Panel	-	-	£291	<b>02441</b>
Urban Swing Front Panel	-	-	£146	<b>02440</b>
Screen QSS-2	-	-	£227	<b>02347</b>
Set (Bath, Screen, Front Panel)	-	-	£1,269	-



**FEATURES:** **C** Carronite **P** Panel  
**W** Whirlpool

**CAPACITY:** 225 Litres

**WHIRLPOOL:** Systems ① ② ③ ④ ⑤ ⑥

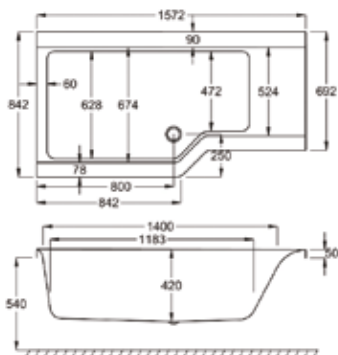
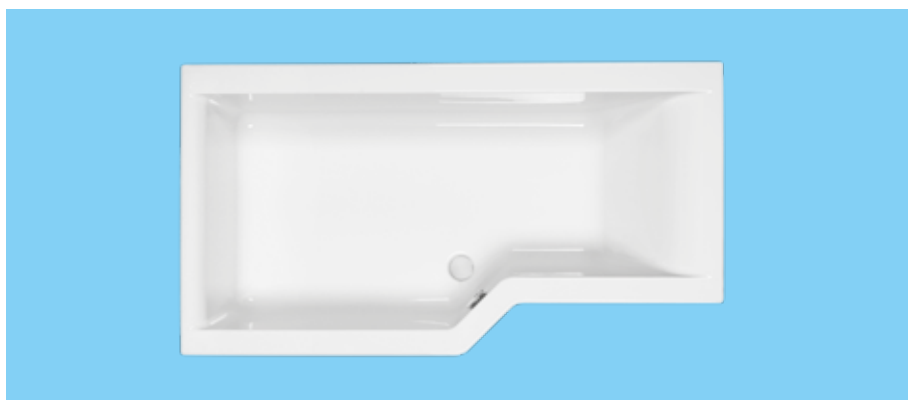
**KIT REF:** Carronite - AK-05-C/AK-12

**SIZES:** 1575x850

# Urban Edge

Length. **1575mm** | Width. **700-850mm** | Height. **540mm**

	5mm	Code	Carronite	Code
<b>Urban Edge Showerbath (LH)</b>	<b>£536</b>	<b>02427</b>	<b>£896</b>	<b>02428</b>
<b>Urban Edge Showerbath (RH)</b>	<b>£536</b>	<b>02429</b>	<b>£896</b>	<b>02430</b>
L-Shaped Showerbath Panel	-	-	£438	02551
Urban Edge Front Panel	£198	02437	£317	02438
Screen QSS-2	£227	02347	£227	02347
Set (Bath, Screen, Front Panel)	£961	-	£1,440	-



**FEATURES:** **C** Carronite **P** Panel  
**W** Whirlpool

**CAPACITY:** 225 Litres

**WHIRLPOOL:** Systems ① ② ③ ④ ⑤ ⑥

**KIT REF:** Standard - AK-05  
Carronite - AK-05-C

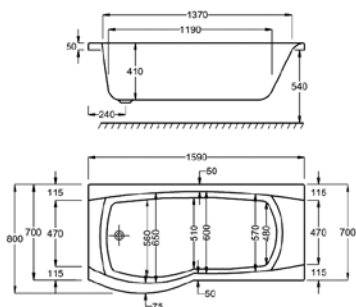
**SIZES:** 1575x700-850,  
1675x700-850

Left hand and right hand baths available.  
Left hand bath shown.

# Delta

Length. **1600mm** | Width. **700-800mm** | Height. **540mm**

	5mm	Code	Carronite	Code
<b>Delta Showerbath 1600 (LH)</b>	<b>£501</b>	<b>02071</b>	<b>£833</b>	<b>02072</b>
<b>Delta Showerbath 1600 (RH)</b>	<b>£501</b>	<b>02073</b>	<b>£833</b>	<b>02074</b>
Delta 1600 SB Front Panel	£144	02295	£293	02296
SB End Panel	£94	02312	£128	02313
Screen CSS-1	£213	02343	£213	02343
Set (Bath, Screen, Front Panel)	£858	-	£1,339	-



**FEATURES:** **C** Carronite **P** Panel  
**W** Whirlpool

**CAPACITY:** 210 Litres

**WHIRLPOOL:** Systems ① ④

**KIT REF:** Standard - AK-04  
Carronite - AK-04-C

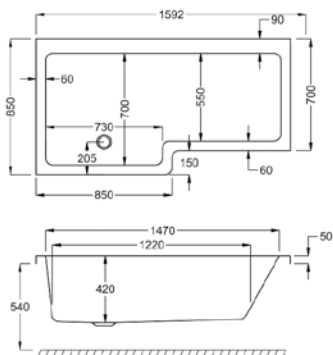
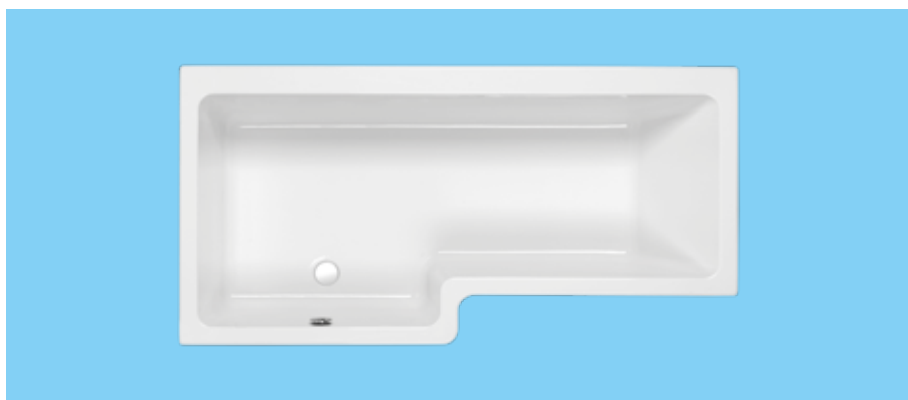
**SIZES:** 1600x700-800,  
1700x700-800,



# Quantum

Length. **1600mm** | Width. **700-850mm** | Height. **540mm**

	5mm	Code	Carronite	Code
<b>Quantum Showerbath 1600 (LH)</b>	<b>£383</b>	<b>02386</b>	<b>£582</b>	<b>02387</b>
<b>Quantum Showerbath 1600 (RH)</b>	<b>£383</b>	<b>02388</b>	<b>£582</b>	<b>02389</b>
Quantum 1600 SB Front Panel	£150	02390	£326	02391
SB End Panel	£94	02312	£128	02313
Screen QSS-2	£227	02347	£227	02347
Set (bath, screen, front panel)	£760	-	£1,135	-



**FEATURES:** **C** Carronite **P** Panel

**CAPACITY:** 250 Litres

**WHIRLPOOL:** N/A

**KIT REF:** Standard - AK-05  
Carronite - AK-05-C

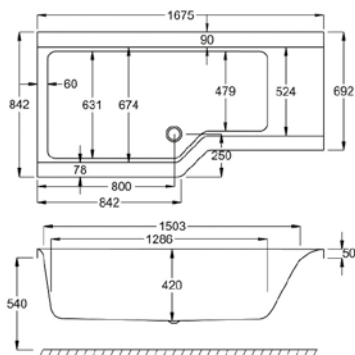
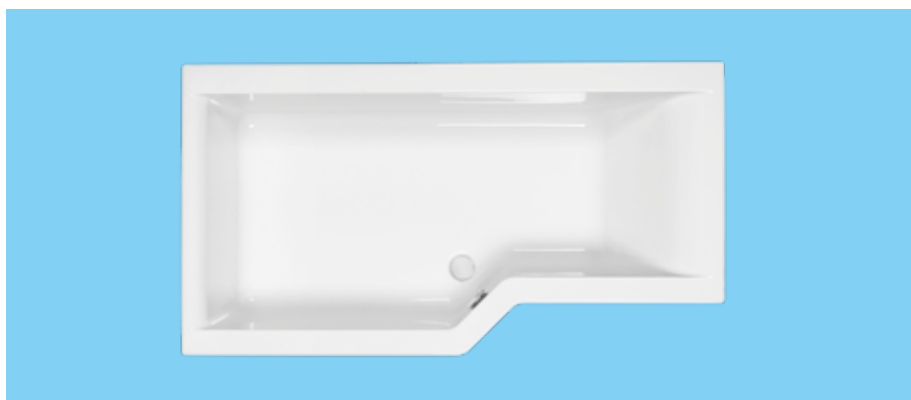
**SIZES:** 1500x700-850,  
1600x700-850,  
1700x700-850

Left hand and right hand baths available.  
Left hand bath shown.

# Urban Edge

Length. **1675mm** | Width. **700-850mm** | Height. **540mm**

	5mm	Code	Carronite	Code
<b>Urban Edge Showerbath (LH)</b>	<b>£536</b>	<b>02525</b>	<b>£896</b>	<b>02526</b>
<b>Urban Edge Showerbath (RH)</b>	<b>£536</b>	<b>02527</b>	<b>£896</b>	<b>02528</b>
L-Shaped Showerbath Panel	-	-	£438	02552
Urban Edge Front Panel	£198	02529	£317	02530
Screen QSS-2	£227	02347	£227	02347
Set (Bath, Screen, Front Panel)	£961	-	£1,440	-



**FEATURES:** **C** Carronite **P** Panel  
**W** Whirlpool

**CAPACITY:** 245 Litres

**WHIRLPOOL:** Systems ① ② ③ ④ ⑤ ⑥

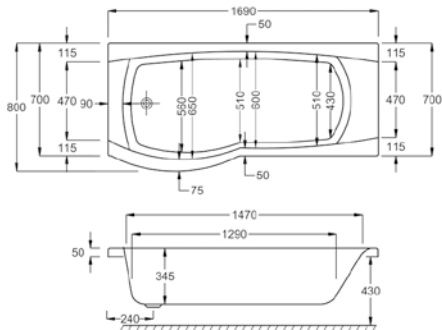
**KIT REF:** Standard - AK-05  
Carronite - AK-05-C

**SIZES:** 1575x700-850,  
1675x700-850

# Aspect

Length. **1700mm** | Width. **700-800mm** | Height. **540mm**

	5mm	Code	Carronite	Code
<b>Aspect Showerbath (LH)</b>	<b>£517</b>	<b>02025</b>	<b>£858</b>	<b>02026</b>
<b>Aspect Showerbath (RH)</b>	<b>£517</b>	<b>02027</b>	<b>£858</b>	<b>02028</b>
Aspect Front Panel	£144	02250	£293	02251
Aspect End Panel	£94	02258	£128	02259
Screen CSS-1	£213	02343	£213	02343
Set (Bath, Screen, Front Panel)	£874	-	£1,364	-



- FEATURES:**
- C** Carronite
  - P** Panel
  - A** Accessible
  - S** Water Saver

**CAPACITY:** 190 Litres

**WHIRLPOOL:** N/A

**KIT REF:** Standard - AK-04  
Carronite - AK-04-C

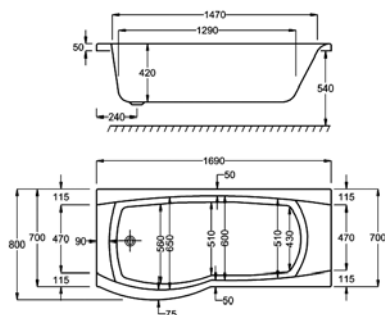
**SIZES:** 1700x700-800

Left hand and right hand baths available.  
Left hand bath shown.

# Delta

Length. **1700mm** | Width. **700-800mm** | Height. **540mm**

	5mm	Code	Carronite	Code
<b>Delta Showerbath 1700 (LH)</b>	<b>£501</b>	<b>02075</b>	<b>£833</b>	<b>02076</b>
<b>Delta Showerbath 1700 (RH)</b>	<b>£501</b>	<b>02077</b>	<b>£833</b>	<b>02078</b>
Delta 1700 SB Front Panel	£144	02297	£293	02298
SB End Panel	£94	02312	£128	02313
Screen CSS-1	£213	02343	£213	02343
Set (Bath, Screen, Front Panel)	£858	-	£1,339	-



**FEATURES:** **C** Carronite **P** Panel  
**W** Whirlpool

**CAPACITY:** 230 Litres

**WHIRLPOOL:** Systems ① ④

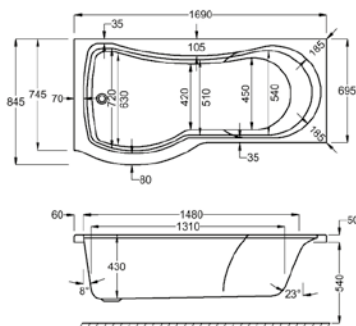
**KIT REF:** Standard - AK-04  
Carronite - AK-04-C

**SIZES:** 1600x700-800,  
1700x700-800

# Arc Showerbath

Length. **1700mm** | Width. **700-850mm** | Height. **540mm**

	5mm	Code	Carronite	Code
<b>Arc Showerbath (LH)</b>	<b>£418</b>	<b>02183</b>	<b>£670</b>	<b>02184</b>
<b>Arc Showerbath (RH)</b>	<b>£418</b>	<b>02185</b>	<b>£670</b>	<b>02186</b>
Arc 1700 SB Front Panel	£125	02332	£261	02333
SB End Panel	£94	02312	£128	02313
Screen CSS-2	£210	02350	£210	02350
Set (Bath, Screen, Front Panel)	£753	-	£1,141	-



**FEATURES:** **C** Carronite **P** Panel  
**W** Whirlpool

**CAPACITY:** 250 Litres

**WHIRLPOOL:** Systems ① ④

**KIT REF:** Standard - AK-05  
Carronite - AK-05-C

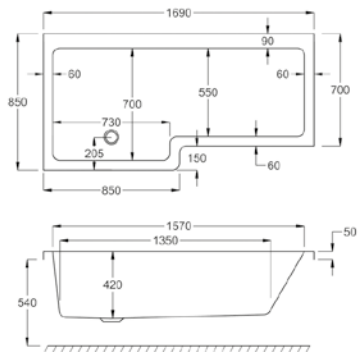
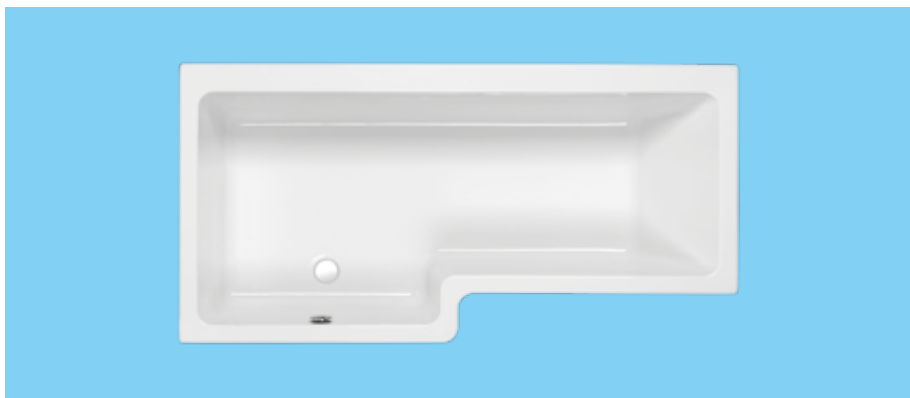
**SIZES:** 1700x700-850

Left hand and right hand baths available.  
Left hand bath shown.

# Quantum

Length. **1700mm** | Width. **700-850mm** | Height. **540mm**

	5mm	Code	Carronite	Code
<b>Quantum Showerbath 1700 (LH)</b>	<b>£383</b>	<b>02205</b>	<b>£582</b>	<b>02206</b>
<b>Quantum Showerbath 1700 (RH)</b>	<b>£383</b>	<b>02207</b>	<b>£582</b>	<b>02208</b>
Quantum 1700 SB Front Panel	£150	02326	£326	02327
SB End Panel	£94	02312	£128	02313
Screen QSS-2	£227	02347	£227	02347
Set (bath, screen, front panel)	£760	-	£1,135	-



**FEATURES:** **C** Carronite **P** Panel

**CAPACITY:** 265 Litres

**WHIRLPOOL:** N/A

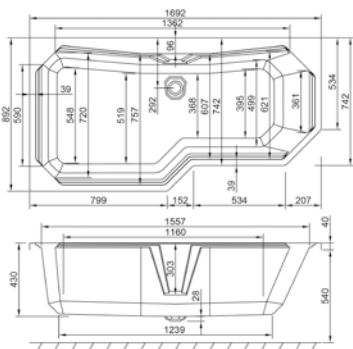
**KIT REF:** Standard - AK-05  
Carronite - AK-05-C

**SIZES:** 1500x700-850,  
1600x700-850,  
1700x700-850

# Highgate

Length. **1700mm** | Width. **750-900mm** | Height. **540mm**

	<b>Carronite</b>	<b>Code</b>
<b>Highgate Showerbath (LH)</b>	<b>£1,087</b>	<b>02538</b>
<b>Highgate Showerbath (RH)</b>	<b>£1,087</b>	<b>02539</b>
L-Shaped Showerbath Panel	£439	02540
Showerbath Screen with Etching, HGSBL-1 (LH)	£275	02581
Showerbath Screen with Etching, HGSBR-1 (RH)	£275	02582
Set (Bath, Screen, Front Panel)	£1,801	-



**FEATURES:** **C** Carronite **P** Panel

**CAPACITY:** 272 Litres

**WHIRLPOOL:** N/A

**KIT REF:** Carronite - AK-05-C

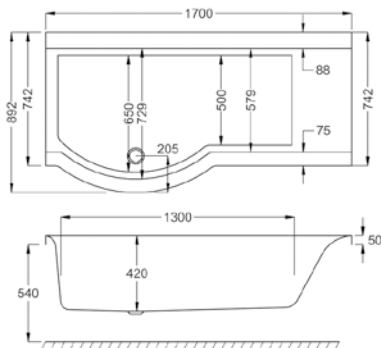
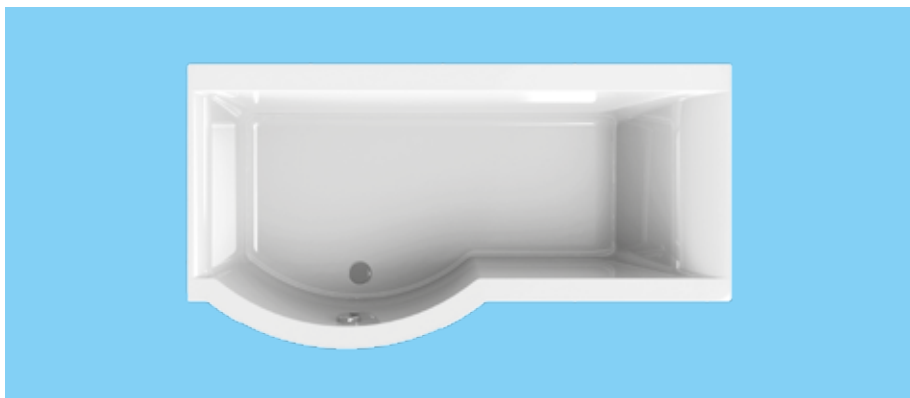
**SIZES:** 1700x750-900

Left hand and right hand baths available.  
Left hand bath shown.

# Urban

Length. **1700mm** | Width. **750-900mm** | Height. **540mm**

	5mm	Code	Carronite	Code
<b>Urban Showerbath (LH)</b>	<b>£552</b>	<b>02369</b>	<b>£919</b>	<b>02370</b>
<b>Urban Showerbath (RH)</b>	<b>£552</b>	<b>02371</b>	<b>£919</b>	<b>02372</b>
L-Shaped Showerbath Panel	-	-	£433	02506
Urban 1700 SB Front Panel	£198	02375	£317	02376
Screen CSS-4	£213	02380	£213	02380
Screen wrap round	£654	02379	£654	02379
Set 1 (Bath, Screen, Front Panel)	£963	-	£1,449	-
Set 2 (Bath, Wrap Round Screen, Front Panel)	£1,404	-	£1,890	-



**FEATURES:** **C** Carronite **P** Panel  
**W** Whirlpool

**CAPACITY:** 260 Litres

**WHIRLPOOL:** Systems ① ② ③ ④ ⑤ ⑥

**KIT REF:** Standard - AK-05  
Carronite - AK-05-C

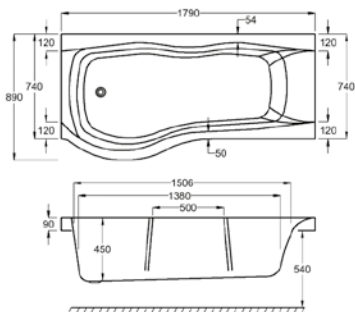
**SIZES:** 1700x750-900



# Sigma

Length. **1800mm** | Width. **750-900mm** | Height. **540mm**

			<b>Carronite</b>	<b>Code</b>
<b>Sigma Showerbath (LH)</b>	<b>£809</b>	<b>02471</b>	<b>£1,225</b>	<b>02473</b>
<b>Sigma Showerbath (RH)</b>	<b>£809</b>	<b>02472</b>	<b>£1,225</b>	<b>02474</b>
Sigma 1800 SB Panel	£163	02514	£293	02515
SB End Panel	£94	02385	£128	02383
Screen CSS-2	£210	02350	£210	02350
Set (Bath, Screen, Front Panel)	£1,182	-	£1,728	-



**FEATURES:** **C** Carronite **P** Panel  
**W** Whirlpool

**CAPACITY:** 265 Litres

**WHIRLPOOL:** Systems ① ② ③ ④ ⑤ ⑥

**KIT REF:** Standard - AK-05  
Carronite - AK-05-C

**SIZES:** 1800x750-900

Left hand and right hand baths available.  
Left hand bath shown.

---

# Freestanding Baths

---

---

Opulent, stylish, yet still practical, Carron Freestanding baths make the right statement in any luxury setting. If you value high quality manufacturing, you will value Carron Freestanding baths.

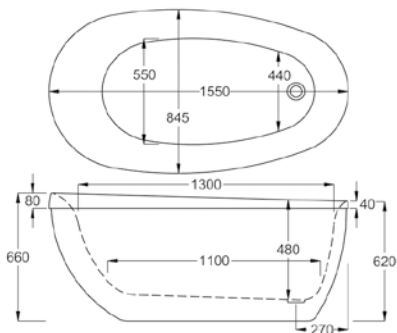
---



# Paradigm

Length. **1550mm** | Width. **850mm** | Height. **620-680mm**

	5mm	Code	Carronite	Code
<b>Paradigm</b> (inc waste/overflow)	-	-	<b>£1,675</b>	<b>02132</b>
<b>Paradigm</b> (with filler)	-	-	<b>£1,836</b>	<b>02132+</b>
<b>Additional cost for ColourMatch base option</b> (any RAL Classic colour)			<b>+£200</b>	



**FEATURES:**  Carronite

**CAPACITY:** 238 Litres

**WHIRLPOOL:** N/A

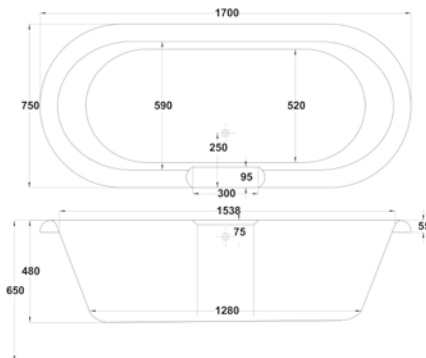
**KIT REF:** N/A

**SIZES:** 1550x850

# Ascoli

Length. **1700mm** | Width. **750mm** | Height. **655mm**

	5mm	Code	Carronite	Code
<b>Ascoli</b>	<b>£1,197</b>	<b>02024</b>	-	-
Chrome Feet	£368	02022	-	-
<b>Inset option Ascoli inset</b>	<b>£491</b>	<b>02498</b>	<b>£871</b>	<b>02498C</b>
<b>Additional cost for ColourMatch base option</b> (any RAL Classic colour)			+£200	



**FEATURES:** Carronite

**CAPACITY:** 247 Litres

**WHIRLPOOL:** N/A

**KIT REF:** N/A

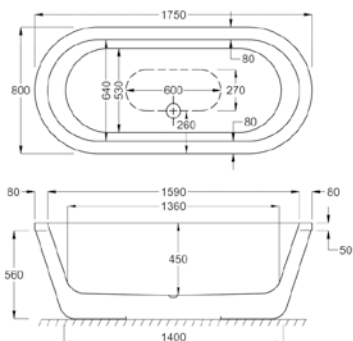
**SIZES:** 1700x750



# Halcyon Oval

Length. **1750mm** | Width. **800mm** | Height. **610mm**

	5mm	Code	Carronite	Code
<b>Halcyon Oval - White</b> (includes overflow only)			<b>£1,675</b>	<b>02102</b>
<b>Halcyon Oval - White</b> (includes filler)			<b>£1,837</b>	<b>02102+</b>
<b>Halcyon Oval - Black</b> (includes overflow only)			<b>£1,675</b>	<b>02104</b>
<b>Halcyon Oval - Black</b> (includes filler)			<b>£1,837</b>	<b>02104+</b>
<b>Halcyon Oval - Red</b> (includes overflow only)			<b>£1,675</b>	<b>02103</b>
<b>Halcyon Oval - Red</b> (includes filler)			<b>£1,837</b>	<b>02103+</b>
<b>Inset option Halcyon OVAL inset</b>	<b>£491</b>	<b>02100</b>	<b>£871</b>	<b>02101</b>
<b>Additional cost for ColourMatch base option</b> (any RAL Classic colour)			<b>+£200</b>	



**FEATURES:**  Carronite

**CAPACITY:** 270 Litres

**WHIRLPOOL:** N/A

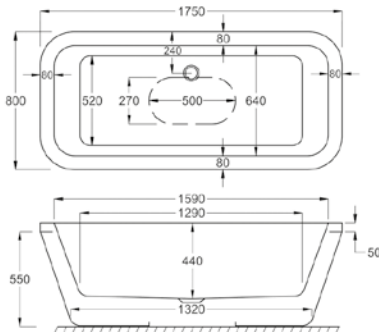
**KIT REF:** N/A

**SIZES:** 1750x800

# Halcyon Square

Length. **1750mm** | Width. **800mm** | Height. **600mm**

	5mm	Code	Carronite	Code
<b>Halcyon square - white</b> (includes overflow only)			<b>£1,675</b>	<b>02105</b>
<b>Halcyon square - white</b> (includes filler)			<b>£1,837</b>	<b>02105+</b>
<b>Halcyon square - Black</b> (includes overflow only)			<b>£1,675</b>	<b>02561</b>
<b>Halcyon square - Black</b> (includes filler)			<b>£1,837</b>	<b>02561+</b>
<b>Halcyon square - Red</b> (includes overflow only)			<b>£1,675</b>	<b>02562</b>
<b>Halcyon square - Red</b> (includes filler)			<b>£1,837</b>	<b>02562+</b>
<b>Inset option Halcyon SQUARE Inset</b>	<b>£491</b>	<b>02487</b>	<b>£871</b>	<b>02488</b>
<b>Additional cost for ColourMatch base option</b> (any RAL Classic colour)			<b>+£200</b>	



**FEATURES:** Carronite

**CAPACITY:** 286 Litres

**WHIRLPOOL:** N/A

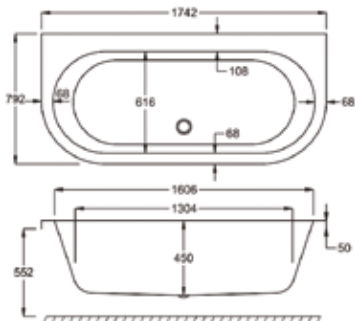
**KIT REF:** N/A

**SIZES:** 1750x800

# Halcyon D

Length. **1750mm** | Width. **800mm** | Height. **602mm**

	5mm	Code	Carronite	Code
<b>Halcyon D</b>	<b>£491</b>	<b>02416</b>	<b>£871</b>	<b>02417</b>
Halcyon D One-Piece Panel (WHITE)			£461	02436
Halcyon D One-Piece Panel (GRANITE / COLOUR MATCH)*			£552	02453



**FEATURES:** **C** Carronite **P** Panel

**CAPACITY:** 253 Litres

**WHIRLPOOL:** N/A

**KIT REF:** Standard - AK-01  
Carronite - AK-01-C

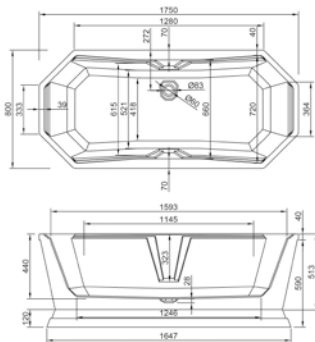
**SIZES:** 1750x800



# Highgate

Length. **1750mm** | Width. **800mm** | Height. **630mm**

	<b>Carronite</b>	<b>Code</b>
<b>Highgate freestanding - White</b>	<b>£2,037</b>	<b>02541</b>
<b>Highgate freestanding - Colour (centre panel)</b>	<b>£3,086</b>	<b>02542</b>



**FEATURES:** Carronite

**CAPACITY:** 265 Litres

**WHIRLPOOL:** N/A

**KIT REF:** N/A

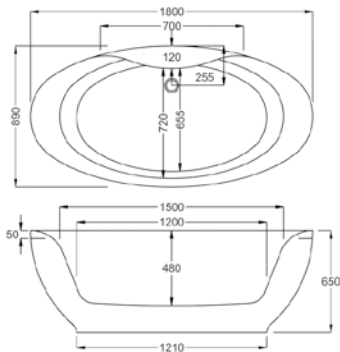
**SIZES:** 1750x800

\* For colour match panel please contact your supplier.

# Elysee

Length. **1800mm** | Width. **900mm** | Height. **650mm**

	5mm	Code	Carronite	Code
<b>Elysee</b> (includes waste/overflow)	-	-	<b>£1,675</b>	<b>02086</b>
Optional Filler (Freestanding Version only) Overflow/Filler/Clicker Waste			£161	02086+
<b>Inset option Elysee inset</b>	<b>£511</b>	<b>02084</b>	<b>£907</b>	<b>02085</b>
<b>Additional cost for ColourMatch base option</b> (any RAL Classic colour)			+£200	



**FEATURES:** **C** Carronite **W** Whirlpool

**CAPACITY:** 330 Litres

**WHIRLPOOL:** Systems ① ② ③ ④ ⑤  
⑥ (inset only)

**KIT REF:** N/A

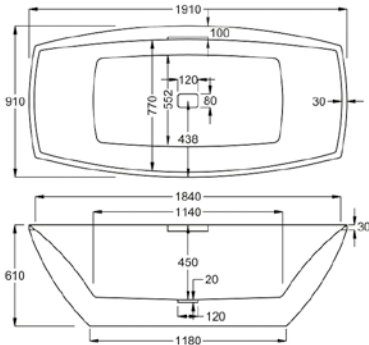
**SIZES:** 1800x900

# Celsius

Length. **1910mm** | Width. **910mm** | Height. **610mm**

	<b>Carronite</b>	<b>Code</b>
<b>Celsius - White</b> (includes overflow/filler/clicker waste)*	<b>£2,037</b>	<b>02492</b>
<b>Celsius - Granite</b> (includes overflow/filler/clicker waste)*	<b>£3,086</b>	<b>02493</b>

\*Min 1 bar pressure required



<b>FEATURES:</b>	<b>© Carronite</b>
<b>CAPACITY:</b>	330 Litres
<b>WHIRLPOOL:</b>	N/A
<b>KIT REF:</b>	N/A
<b>SIZES:</b>	1910x910

---

# ColourMatch

---

## The future is colour

Carron's ColourMatch concept is our solution to the ever changing design environment. So your clients will no longer be restricted to white bath panels for their freestanding baths.

Every bath is sprayed to the client's specification based on a colour swatch or reference. Providing a unique design statement while still meeting Carron's rigorous, manufacturing standards.

---



ColourMatch



ColourMatch Infinity Base



# ColourMatch

With ColourMatch, your client can choose the colour of their freestanding bath base by simply matching a paint swatch or reference.

Bath Model	Size	Page	Carronite	Code
Paradigm	1550x850mm	140	£2,036	02132 CM
Ascoli	1700x750mm	141	£1,397	02024 CM
Halcyon Oval	1750x800mm	142	£2,037	02102 CM
Halcyon Square	1750x800mm	143	£2,037	02505 CM
Halcyon D Panel	1750x800mm	144	£552	02453 CM
Highgate Central Panel	1750x800mm	145	£3,086	02542 CM
Elysee	1800x900mm	146	£2,036	02086CM
Celsius Freestanding	1910x910mm	147	£3,086	02492 CM

**\*ColourMatch base available in any Ral classic colour.**

\*All prices include Filler/Waste/Overflow (excludes valve).

All Baths Carronite™ as standard. Allow 6 week lead time.  
Please contact Carron Bathrooms direct to discuss requirements before placing order for ColourMatch.

# ColourMatch Infinity Base

Our unique Infinity Base is designed to turn our most popular 1700x750 double ended models into a freestanding bath. Bringing together the flexibility of our standard rectangular range, the luxury of a freestanding bath and the added style statement of ColourMatch, all in one.

## C/W Coloured Base

Bath Model	Size	Page	Carronite	Code
Infinity Alpha	1700x750mm	67	£1,366	02700
Infinity Echelon	1700x750mm	71	£1,551	02702
Infinity Equation	1700x750mm	72	£1,366	02704
Infinity Equity	1700x750mm	73	£1,366	02706
Infinity Profile	1700x750mm	77	£1,366	02708
Infinity Quantum	1700x750mm	82	£1,366	02710

## C/W White Base

Bath Model	Size	Page	Carronite	Code
Infinity Alpha	1700x750mm	67	£1,161	02701
Infinity Echelon	1700x750mm	71	£1,346	02703
Infinity Equation	1700x750mm	72	£1,161	02705
Infinity Equity	1700x750mm	73	£1,161	02707
Infinity Profile	1700x750mm	77	£1,161	02709
Infinity Quantum	1700x750mm	82	£1,161	02711

**\*Infinity base available in any Ral classic colour.**

\*All prices include Filler/Waste/Overflow (excludes valve).

All Baths Carronite™ as standard. Allow 6 week lead time. Please contact Carron Bathrooms direct to discuss requirements before placing order for ColourMatch.

---

# Corner Baths

---

---

Ideal where space and layout are an issue, our Corner bath range combines great design, practicality and comfort.

---

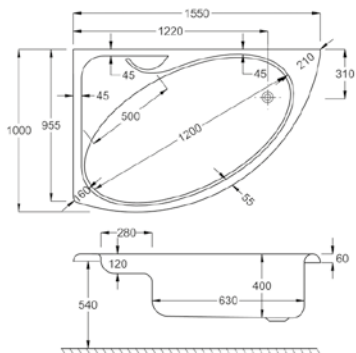




# Dove

Length. **1550mm** | Width. **950mm** | Height. **540mm**

	5mm	Code	Carronite	Code
<b>Dove (LH)</b>	<b>£622</b>	<b>02232</b>	£880	<b>02233</b>
<b>Dove (RH)</b>	<b>£622</b>	<b>02234</b>	£880	<b>02235</b>
Affinity 1550 Panel	£159	02262	£301	02263



**FEATURES:** **C** Carronite **P** Panel  
**W** Whirlpool

**CAPACITY:** 190 Litres

**WHIRLPOOL:** Systems ① ④

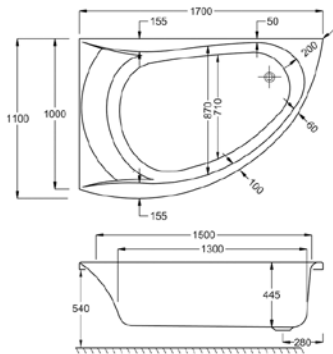
**KIT REF:** Standard - AK-09  
Carronite - AK-09-C

**SIZES:** 1550x950

# Omega

Length. **1700mm** | Width. **1000mm** | Height. **540mm**

	5mm	Code	Carronite	Code
<b>Omega (LH)</b>	<b>£811</b>	<b>02238</b>	<b>£1,338</b>	<b>02239</b>
<b>Omega (RH)</b>	<b>£811</b>	<b>02240</b>	<b>£1,338</b>	<b>02241</b>
Affinity 1700 Panel	£159	02306	£301	02307



**FEATURES:** **C** Carronite **P** Panel  
**W** Whirlpool

**CAPACITY:** 255 Litres

**WHIRLPOOL:** Systems ① ② ③ ④ ⑤ ⑥

**KIT REF:** Standard - AK-05  
Carronite - AK-05-C

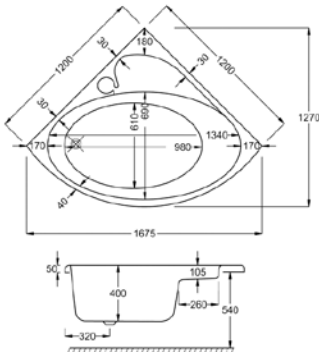
**SIZES:** 1700x1000

Left hand and right hand baths available.  
Right hand bath shown.

# Oriole

Length. **1200mm** | Width. **1200mm** | Height. **540mm**

	5mm	Code	Carronite	Code
<b>Oriole</b>	<b>£662</b>	<b>02242</b>	<b>£843</b>	<b>02243</b>
Affinity 1200 Panel	£159	02260	£301	02261



**FEATURES:** **C** Carronite **P** Panel

**CAPACITY:** 190 Litres

**WHIRLPOOL:** N/A

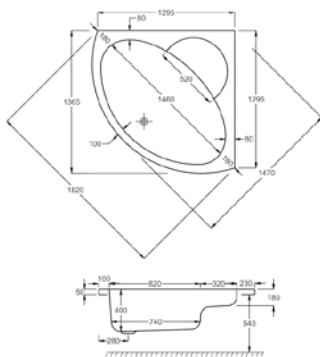
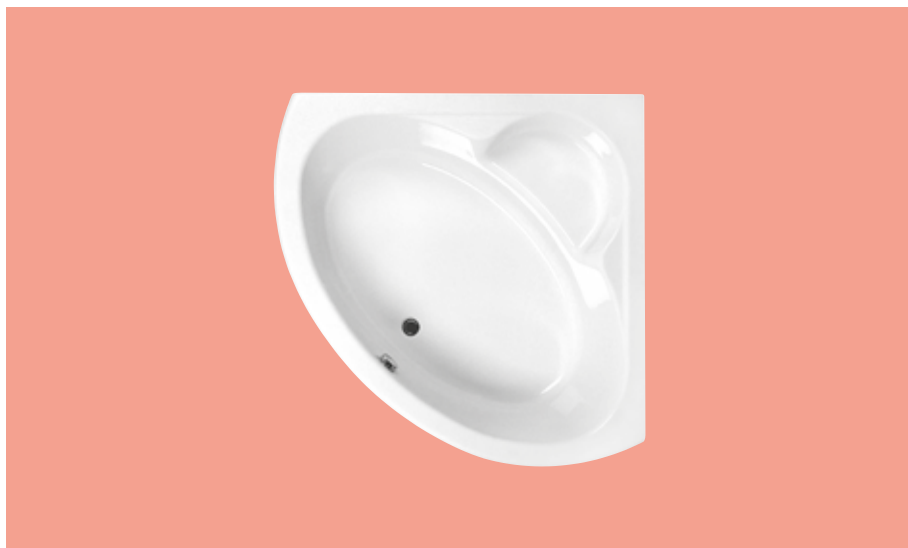
**KIT REF:** Standard - AK-09  
Carronite - AK-09-C

**SIZES:** 1550x950

# Monarch

Length. **1300mm** | Width. **1300mm** | Height. **540mm**

	5mm	Code	Carronite	Code
<b>Monarch</b>	<b>£708</b>	<b>02236</b>	<b>£895</b>	<b>02237</b>
Affinity 1300 Panel	£159	02304	£301	02305



**FEATURES:** **C** Carronite **P** Panel  
**W** Whirlpool

**CAPACITY:** 235 Litres

**WHIRLPOOL:** Systems ① ④

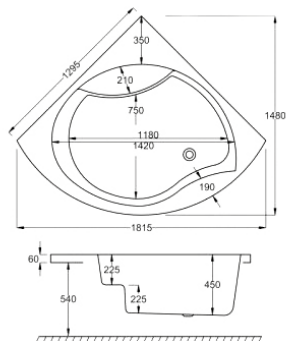
**KIT REF:** Standard - AK-02  
Carronite - AK-02-C

**SIZES:** 1300x1300

# Tranquility

Length. **1300mm** | Width. **1300mm** | Height. **540mm**

	5mm	Code	Carronite	Code
<b>Tranquility</b>	<b>£766</b>	<b>02244</b>	<b>£1,207</b>	<b>02245</b>
Affinity 1300 Panel	£159	02304	£301	02305



**FEATURES:** **C** Carronite **P** Panel  
**W** Whirlpool

**CAPACITY:** 295 Litres

**WHIRLPOOL:** Systems ① ② ③ ④ ⑤ ⑥

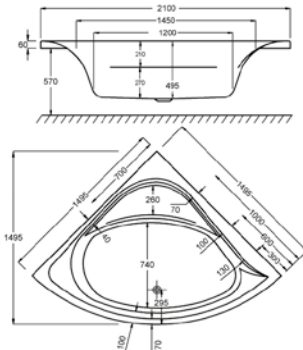
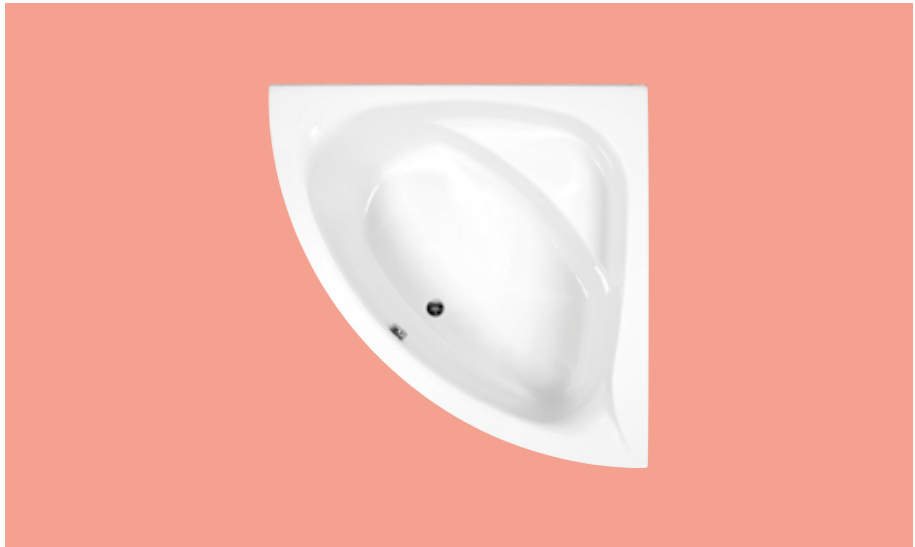
**KIT REF:** Standard - AK-08  
Carronite - AK-08-C

**SIZES:** 1300x1300

# Centennial

Length. **1500mm** | Width. **1500mm** | Height. **540mm**

	5mm	Code	Carronite	Code
<b>Centennial</b>	<b>£918</b>	<b>02230</b>	<b>£1,349</b>	<b>02231</b>
Centennial Panel	£159	02264	£301	02265



**FEATURES:** **C** Carronite **P** Panel  
**W** Whirlpool

**CAPACITY:** 407 Litres

**WHIRLPOOL:** Systems ① ② ③ ④ ⑤ ⑥

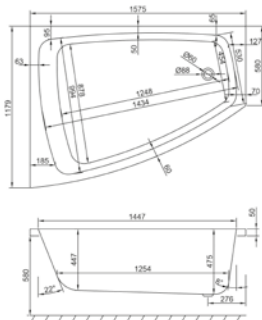
**KIT REF:** Standard - AK-07  
Carronite - AK-07-C

**SIZES:** 1500x1500

# Clipper

Length. **1575mm** | Width. **1200mm** | Height. **540mm**

	5mm	Code	Carronite	Code
<b>Clipper (LH)</b>	<b>£622</b>	<b>02476</b>	<b>£880</b>	<b>02475</b>
<b>Clipper (RH)</b>	<b>£622</b>	<b>02478</b>	<b>£880</b>	<b>02477</b>
Clipper L-Shaped Panel	-	-	£301	02479



**FEATURES:** **C** Carronite **P** Panel  
**W** Whirlpool

**CAPACITY:** 335 Litres

**WHIRLPOOL:** Systems ① ② ③ ④ ⑤ ⑥

**KIT REF:** Standard - AK-05  
Carronite - AK-05-C

**SIZES:** 1575x1200





CLIPPER

# Sail away in Scandinavian style

**Generously proportioned with an understated, Scandinavian style, our new Clipper model is the first addition to our corner bath range in over ten years.**

Even with its large bathing capacity, it still retains the flexibility shown in our entire range of corner baths. Where space is at a premium yet you still want to make a statement, the Clipper is the ideal choice.

---

# Celsius Range

---

---

As Carron's signature range, our Celsius baths never compromise on comfort and luxury while remaining stylish and bold. Available in Standard, Showerbath, Duo and Freestanding options.

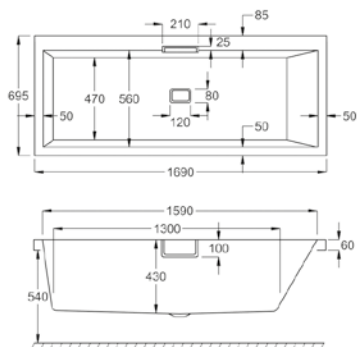
---



# Celsius 700

Length. **1700mm** | Width. **700mm** | Height. **540mm**

	<b>Carronite</b>	<b>Code</b>
<b>Celsius 700 (LH)</b> (includes overflow/filler)	<b>£740</b>	<b>02406</b>
<b>Celsius 700 (RH)</b> (includes overflow/filler)	<b>£740</b>	<b>02407</b>
L-Shaped Panel 700	£288	02569
1700 Front Panel	£153	02319
Screen CFS-1 (H=1400mm)	£167	02344
Screen CFS-2 (H=1500mm)	£188	02346
Optional Overflow/Clicker Waste	no charge	02534



**FEATURES:** **C** Carronite **P** Panel  
**W** Whirlpool

**CAPACITY:** 265 Litres

**WHIRLPOOL:** Systems ① ② ③ ④ ⑤ ⑥

**KIT REF:** Carronite – AK-01-C

**SIZES:** 1700x700

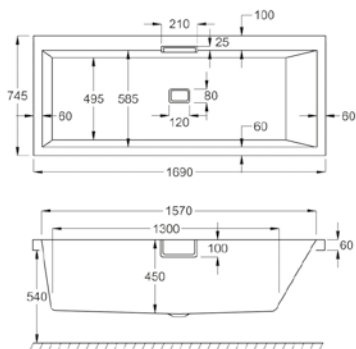
The Celsius bath comes fitted with the uniquely designed overflow/filler included. Standard overflow/clicker available on request.

Left hand and right hand baths available.  
Right hand bath shown.

# Celsius 750

Length. **1700mm** | Width. **750mm** | Height. **540mm**

	<b>Carronite</b>	<b>Code</b>
<b>Celsius 750 (LH)</b> (includes overflow/filler/clicker waste)	<b>£874</b>	<b>02408</b>
<b>Celsius 750 (RH)</b> (includes overflow/filler/clicker waste)	<b>£874</b>	<b>02409</b>
L-Shaped Panel 750	£288	<b>02300</b>
1700 Front Panel	£153	<b>02319</b>
Screen CFS-1 (H=1400mm)	£167	<b>02344</b>
Screen CFS-2 (H=1500mm)	£188	<b>02346</b>
Optional Overflow/Clicker Waste	no charge	<b>02534</b>



**FEATURES:** **C** Carronite **P** Panel  
**W** Whirlpool

**CAPACITY:** 275 Litres

**WHIRLPOOL:** Systems ① ② ③ ④ ⑤ ⑥

**KIT REF:** Carronite - AK-01-C

**SIZES:** 1700x750

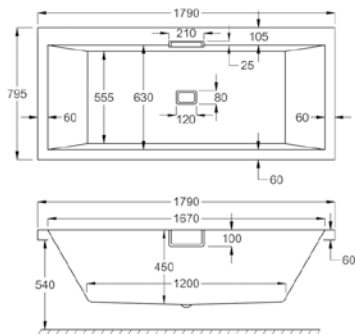
The Celsius bath comes fitted with the uniquely designed overflow/filler included. Standard overflow/clicker available on request.

Left hand and right hand baths available.  
Right hand bath shown.

# Celsius 1800

Length. **1800mm** | Width. **800mm** | Height. **540mm**

	<b>Carronite</b>	<b>Code</b>
<b>Celsius 1800</b> (includes overflow/filler/clicker waste)	<b>£1,149</b>	<b>02410</b>
L-Shaped Panel 1800	£288	02301
1800 Front Panel	£159	02323
Screen CFS-1 (H=1400mm)	£167	02344
Screen CFS-2 (H=1500mm)	£188	02346
Optional Overflow/Clicker Waste	no charge	02534



**FEATURES:** **C** Carronite **P** Panel  
**W** Whirlpool

**CAPACITY:** 300 Litres

**WHIRLPOOL:** Systems ① ② ③ ④ ⑤ ⑥

**KIT REF:** Carronite - AK-03-C

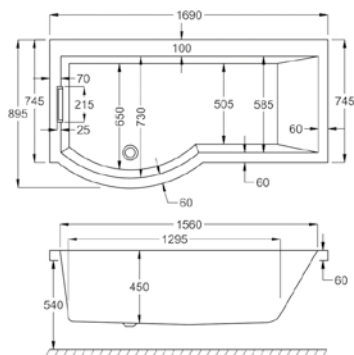
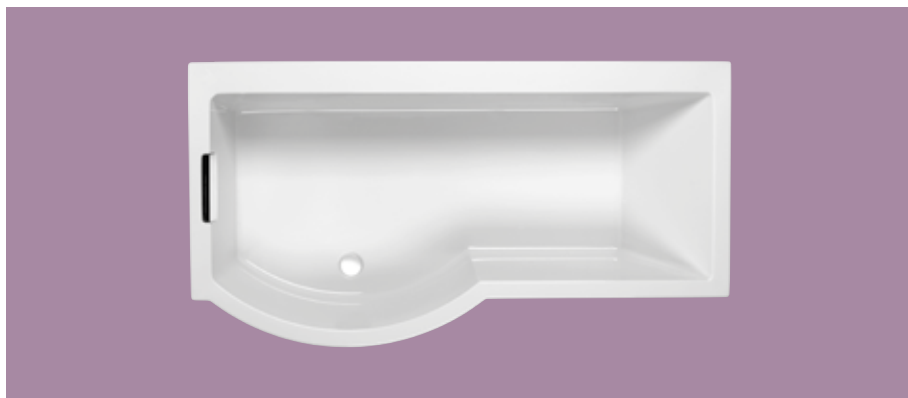
**SIZES:** 1800x800

The Celsius bath comes fitted with the uniquely designed overflow/filler included. Standard overflow/clicker available on request.

# Celsius Showerbath

Length. **1700mm** | Width. **750-900mm** | Height. **540mm**

	5mm	Code	Carronite	Code
<b>Celsius Showerbath (LH)</b> (includes overflow/filler/clicker waste)			<b>£1,087</b>	<b>02412</b>
<b>Celsius Showerbath (RH)</b> (includes overflow/filler/clicker waste)			<b>£1,087</b>	<b>02413</b>
"L" Shaped Showerbath panel			£439	<b>02506</b>
Showerbath Front Panel			£321	<b>02376</b>
Screen CSS-4			£213	<b>02380</b>
Screen "Wrap round"			£654	<b>02379</b>
Optional Overflow/Clicker Waste			no charge	<b>02534</b>



**FEATURES:** **C** Carronite **P** Panel  
**W** Whirlpool

**CAPACITY:** 305 Litres

**WHIRLPOOL:** Systems ① ② ③ ④ ⑤ ⑥

**KIT REF:** Carronite - AK-05-C

**SIZES:** 1700x750-900

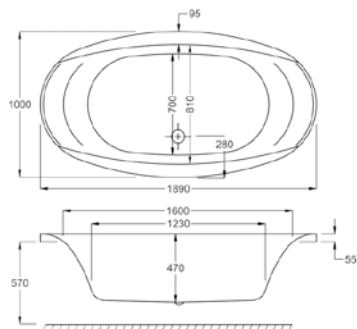
The Celsius bath comes fitted with the uniquely designed overflow/filler included. Standard overflow/clicker available on request.

Left hand and right hand baths available.  
Left hand bath shown.

# Celsius Oval

Length. **1900mm** | Width. **1000mm** | Height. **570mm**

	<b>Carronite</b>	<b>Code</b>
<b>Celsius Oval</b>	<b>£1,436</b>	<b>02494</b>
Front Oval Panel (for semi-inset installation)	<b>£504</b>	<b>02497</b>



**FEATURES:** **C** Carronite **W** Whirlpool

**CAPACITY:** 320 Litres

**WHIRLPOOL:** Systems ① ② ③ ④ ⑤ ⑥

**KIT REF:** Carronite – AK-03-C

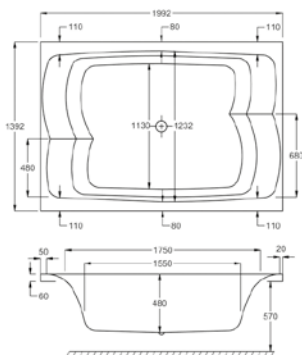
**SIZES:** 1900x1000



# Celsius Duo

Length. **2000mm** | Width. **1400mm** | Height. **570mm**

	Carronite	Code
<b>Celsius Duo</b>	<b>£2,967</b>	<b>02411</b>



**FEATURES:** Carronite Whirlpool

**CAPACITY:** 560 Litres

**WHIRLPOOL:** Systems ① ② ③ ④  
Extended Systems.  
Please ask for more information.

**KIT REF:** Carronite - AK-01-C x 2

**SIZES:** 1900x1000

Extended waste / overflow fittings required for the Celsius Duo bath.

---

# **Panels, Screens & Accessories**

---

---

**When buying a Carron bath, it is just as important to ensure that your accessories are up to the job. Designed and manufactured specifically to fit perfectly with the Carron range all our panels, screens, grips and headrests guarantee a perfect fit and an easy install.**

---

## Screens

---

All Carron showerbaths have a custom designed screen available. The Quantum Showerbath has a unique screen while the more traditional P-shaped showerbaths in the Carron range have the option of a curved screen or a fully enclosed wrap round screen. Giving more definition to the shower area.

Standard flat screens come in two size and shape options, produced to match Carron's high standard of manufacturing.

---

### Shower screen options

Carron standard flat screens come in two heights with either a square or curved profile.

CFS-1 Screen (H=1400mm)

**£167** 02344



CFS-2 Screen (H=1500mm)

**£188** 02346



# Panels

We offer a range of panels to complete the look of your chosen bath. One piece L-Shaped panels provide the ideal solution, ensuring a flawless finish and removing any unsightly joins between front and end panels. Where an L-Shaped Panel is not suitable, standard front and end panels are also available.

All front and end panels can be purchased in standard or Carronite finishes.

## “L” Shaped Panels

Length x Width	Height	STD	Code	Carronite	Code
1500 x 700	430	-	-	£288	02499
1500 x 700	515	-	-	£288	02502
1600 x 700	430	-	-	£288	02500
1600 x 700	515	-	-	£288	02503
1600 x 800	540	-	-	£288	02567
1650 x 700	430	-	-	£288	02597
1650 x 700	515	-	-	£288	02531
1675 x 700	515	-	-	£288	02568
1700 x 700	430	-	-	£288	02501
1700 x 700	515	-	-	£288	02299
1700 x 700	540	-	-	£288	02569
1700 x 725	540	-	-	£288	02570
1700 x 750	540	-	-	£288	02300
1700 x 800	540	-	-	£288	02489
1750 x 750	540	-	-	£288	02600
1800 x 700	540	-	-	£288	02311
1800 x 800	540	-	-	£288	02301

## Front Panels

Length	Height	STD	Code	Carronite	Code
1400	515	£101	02280	£146	02266
1500	430	£101	02252	£146	02253
1500	515	£101	02315	£146	02314
1600	430	£101	02254	£146	02255
1600	515	£101	02316	£146	02317
1600	540	£113	02281	£153	02267
1650	430	£101	02598	£146	02599
1650	515	£101	02282	£146	02268
1675	515	£101	02283	£146	02269
1700	430	£101	02256	£146	02257
1700	515	£101	02320	£146	02321
1700	540	£113	02318	£153	02319
1750	540	£113	02601	£153	02602
1800	540	£120	02322	£159	02323
1900	570	£120	02284	£159	02270

## End Panels

	Height	STD	Code	Carronite	Code
700	430	£80	02258	£106	02259
700	515	£80	02285	£106	02271
750	515	£80	02288	£106	02274
700	540	£80	02286	£106	02272
725	540	£80	02287	£106	02307
750	540	£80	02289	£106	02275
800	540	£80	02291	£106	02277
900	540	£89	02293	£117	02278
900	570	£89	02294	£117	02279

## Screens

Screen Range	Height	RRP (Ex VAT)	code
CFS-1	1400mm	£167	02344
CFS-2	1500mm	£188	02346
QSS-1 (fixed I-profile)	1400mm	£227	02347+
QSS-2	1400mm	£227	02347
CSS-1	1400mm	£213	02343
CSS-2	1400mm	£210	02350
CSS-4	1400mm	£216	02380

## Headrests

Headrests	Compatible	RRP (Ex VAT)
HR600	Haiku, Linea	£112
HR700	Haiku	£112
HR800	Alpha/Aspect/Axis/Delta/ Imperial/Index/Sigma	£112
HR900	Agenda/Halcyon Square/ Quantum/Celsius 700	£112

HR600 Headrest



HR800 Headrest





Jan-June  
**2021**

## Get in touch

If you need more information on a specific product, a recent purchase or would like to learn more about Carron Bathrooms and our products and services, please call us on +44 (0)1324 638 407.

**When placing an order, please use both the product code and description.**

### Address.

Carron Bathrooms, North Carron Works  
Stenhouse Rd, Falkirk FK2 8UW  
Scotland, United Kingdom

**Tel.** +44 (0)1324 638 407

**Fax.** +44 (0)1324 611 490

**Email.** [info@carronbathrooms.com](mailto:info@carronbathrooms.com)

**Follow.** [facebook/carronbathrooms](https://www.facebook.com/carronbathrooms)

VAT NO. 751 5997 92. COMPANY REG NO. 80506.

Please note: All dimensions shown in this document are nominal and approximate. Full technical drawings are available from your retailer or [www.carronbathrooms.com](http://www.carronbathrooms.com) Carron Bathrooms' policy is one of continuous product improvement. We therefore reserve the right to change specifications, designs and costings without notice. All contents of this brochure © Carron Bathrooms Limited. December 2020 - E & OE. For the full range of Carron products please visit our website. Design: Sevenfivecreative.com

**ALL PRICES EXCLUSIVE OF VAT.**

**[www.carronbathrooms.com](http://www.carronbathrooms.com)**

